

**AZZA**  
ONE VISION. ONE MISSION

**STORM 6000**



**USER MANUAL**

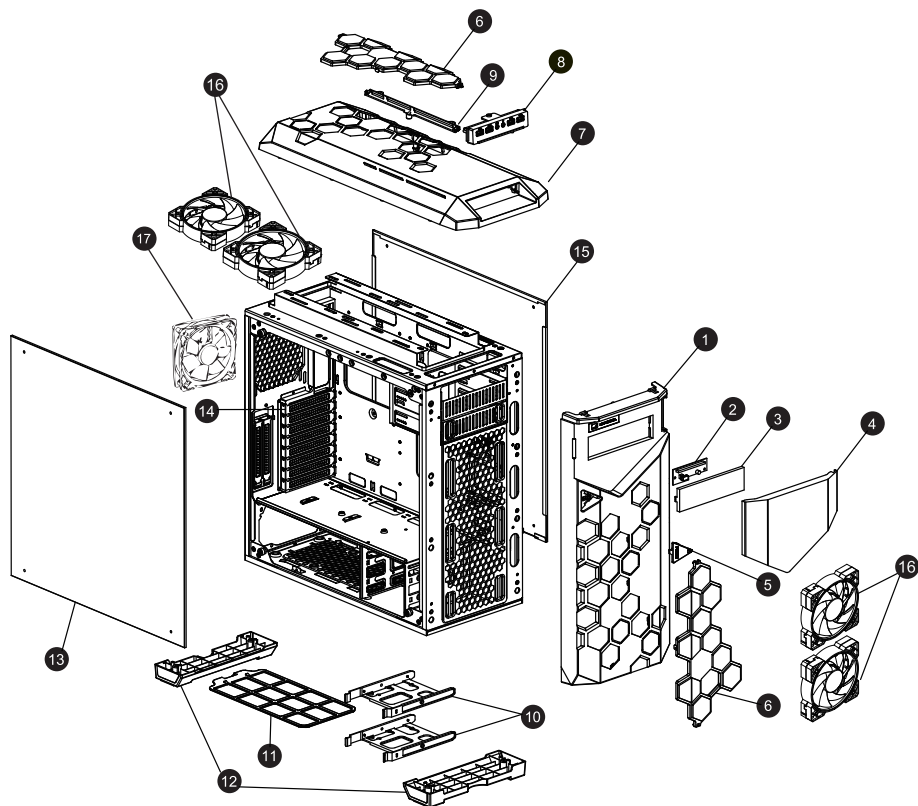
[www.azzatek.com](http://www.azzatek.com)

1. Specifications
2. Chassis Parts
3. Control Panel Functions / PSU Installation
4. ODD Installation / ODD Cage Removal
5. Cooling System Installation
6. 3.5"/2.5" HDD Installation
7. HURRICANE RGB LITE fan

# Specifications

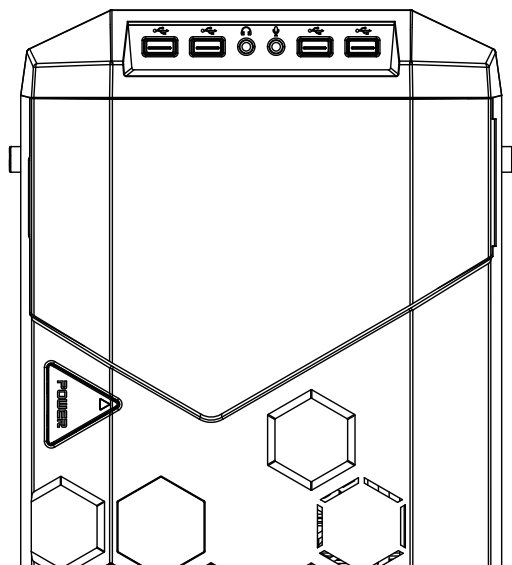
| <b>Model</b>               |   |
|----------------------------|---|
| Model Name                 | Storm 6000-RGB  |
| Model Number               | CSAZ-6000RGB/W/B  |
| <b>Spec</b>                |   |
| Type                       | ATX Full Tower  |
| Side Panel                 | Tempered glass side panel with EVA Anti Vibration PAD   |
| Max CPU Cooler Height      | Up to 175mm   |
| Max VGA Card Length        | Up to 420mm   |
| Water cooling radiator     | Front: up to 280mm; Top: up to 360mm  |
| Motherboard Compatibility  | E-ATX(<272mm), ATX, Micro ATX   |
| Power Supply Locations     | Rear Bottom   |
| RGB light effects          | External switch for RGB controller  |
|                            | 120mm AZZA HURRICANE RGB LITE fan x4  |
| External 5.25" Drive Bays  | 1   |
| Internal 2.5" Drive Bays   | Up to 6   |
| Internal 3.5" Drive Bays   | Up to 4   |
| Expansion slots            | 10  |
| Front Ports                | 2 x USB 3.0, 2 x USB 2.0, HD Audio, Mic.  |
| Cooling System (installed) | 2x120mm AZZA HURRICANE RGB LITE fan in front;<br>2x120mm AZZA HURRICANE RGB LITE fan on top;<br>1x120mm black fan in rear |
| <b>Available Fan Ports</b> |   |
| Front                      | 2x120mm or 2x140mm  |
| Top                        | 3x120mm or 2x140mm  |
| Rear                       | 1x120mm or 1x140mm  |
| <b>Physical Specs</b>      |   |
| Dimensions (HxWxD)         | 537.7x225x525mm / 21.17x8.86x20.67(inch)  |
| Weight                     | 11.1 Kg (24.4lbs)   |
| Carton Size (HxWxD)        | 640x335x646mm / 25.2x13.19x25.43(inch)  |



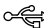


## Chassis Parts



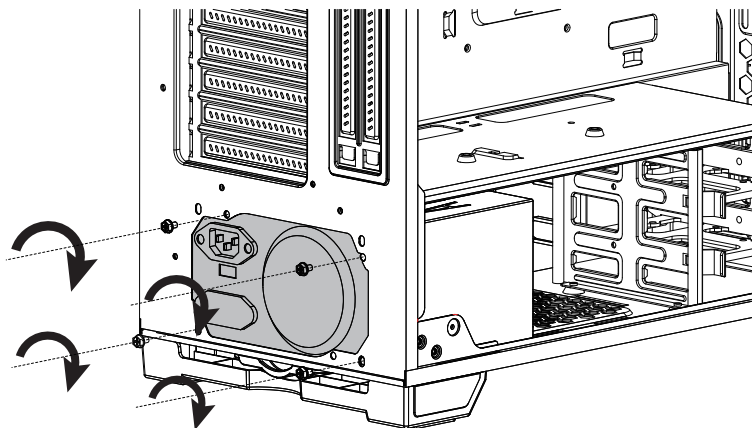
|    |                           |
|----|---------------------------|
| 1  | Front bezel               |
| 2  | RGB control PCB           |
| 3  | 5.25" Device cover X1     |
| 4  | Door                      |
| 5  | Power switch              |
| 6  | Acrylic cover             |
| 7  | Top cover                 |
| 8  | USB & Audio port          |
| 9  | LED lens                  |
| 10 | HDD/SSD tray              |
| 11 | Dust filter               |
| 12 | Stand X2                  |
| 13 | Tempered Glass Side Panel |
| 14 | PCI slot cover            |
| 15 | Right side panel          |
| 16 | RGB fan X4                |
| 17 | 120mm black fan X1        |

## Control panel functions

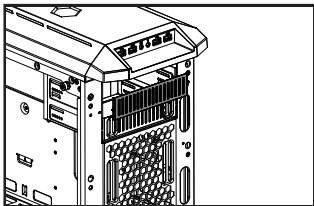


|   |       |   |               |
|---|-------|---|---------------|
|  | Power |  | USB3.0(Blue)  |
|   |       |  | USB2.0(Black) |
|   |       |  | Mic           |
|   |       |  | Audio         |

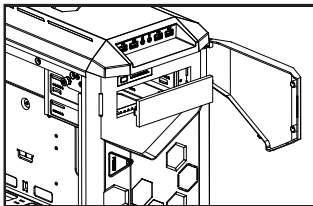
## PSU Installation



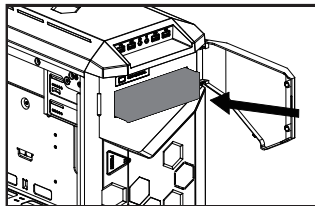
# ODD Installation



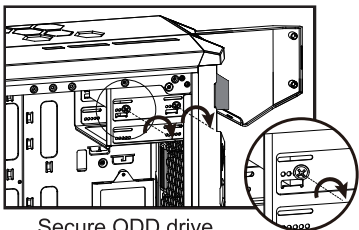
Remove 5.25" metal cover.



Take out drive cover.

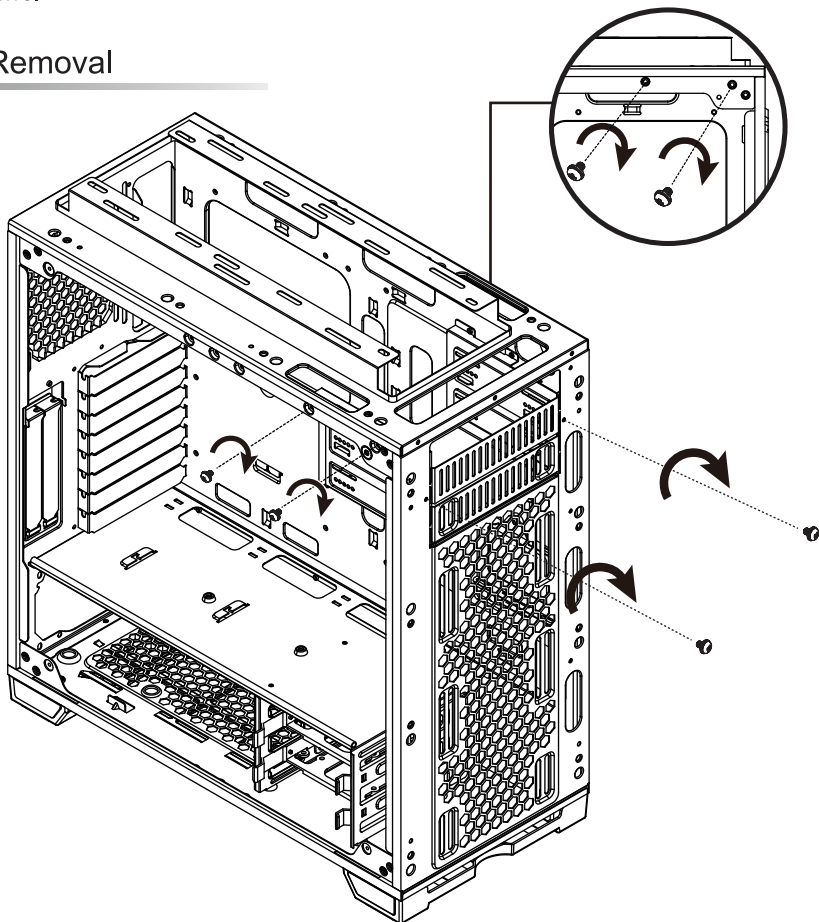


Insert ODD drive.



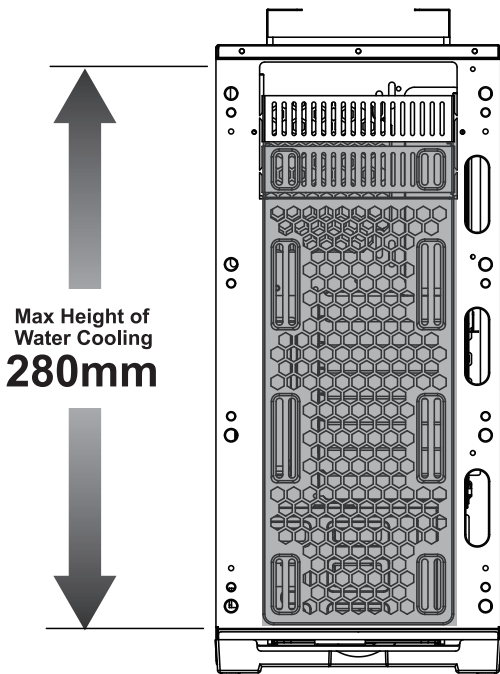
Secure ODD drive.

# ODD Cage Removal



# Cooling System Installation

**Front**

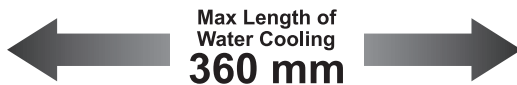


120mm x2

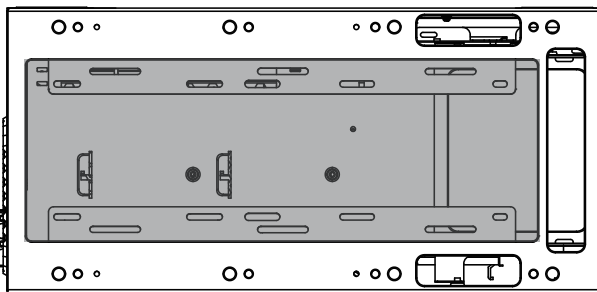
140mm x2



or



**Top**

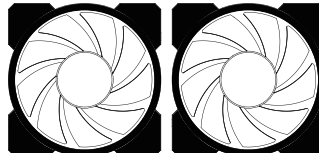


120mm x3

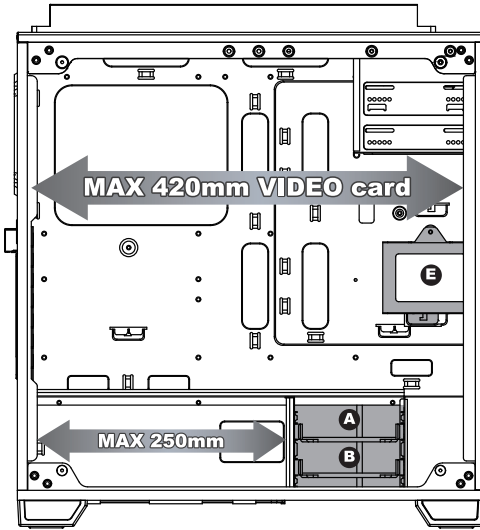
140mm x2



or



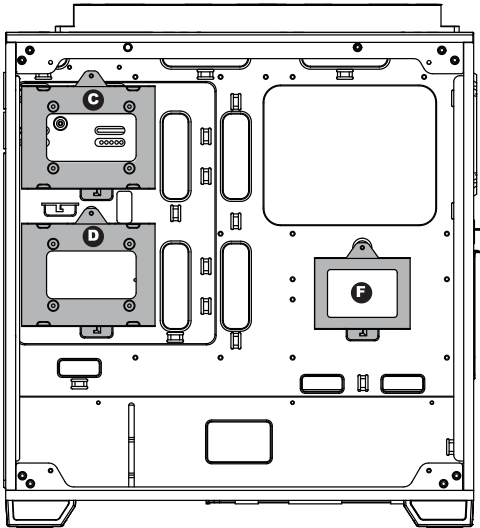
# 3.5" / 2.5" HDD Installation



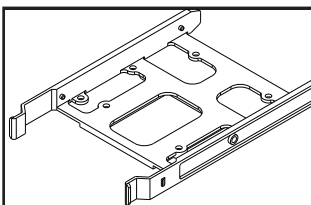
- Supports video cards up to 420mm in length.
- Supports PSUs up to 250mm in length.
- Four multifunctional brackets support 3.5" HDD or 2.5" SSD. (A B C D)



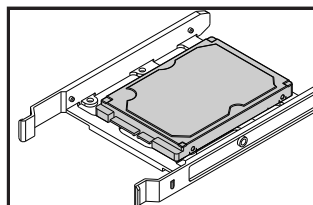
or



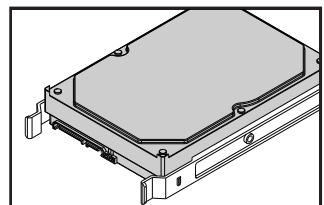
- Two brackets support 2.5" Devices. (E F)



Multifunctional bracket.



Secure 2.5" SSD / HDD with screws.



Secure 3.5" HDD with screws.



## Patented Design

### VORTEX AIR (Patented)

To help improve cooling performance, our patented Shark Teeth design helps channel the air into a concentrated stream for more powerful air flow.

### SILENCE (Patented)

Special grooves carved into the fan blades help reduce noise levels up to ten percent!

### SYNC RGB (Patented)

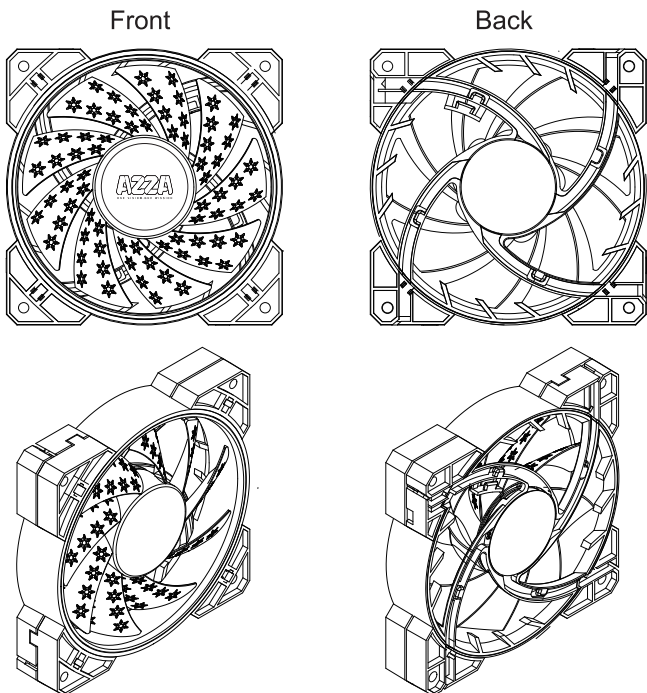
By plugging the Hurricane RGB fan into a RGB-compatible motherboard, lighting and fan speed can be controlled directly without the need for additional hardware.

### CYLINDRICAL LIGHTNING (Patented)

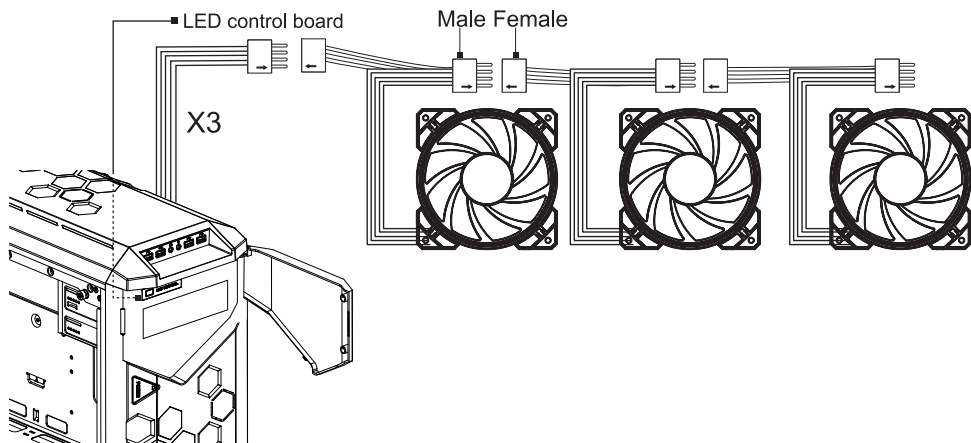
More light is better. With a frame made of acrylic material, the RGB lighting is spread all throughout the fan's frame, giving a clean, uniform look.

|                   |   |
|-------------------|---|
| Model Name        | HURRICANE RGB LITE                        |
| Model Number      | FNAZ-12RGB-B-002                          |
|                   | FNAZ-12RGB-W-002                          |
| Rated Voltage     | 12V                                       |
| Fan Speed         | 1500 RPM                                  |
| Max. Air Pressure | 1.26 mm-H <sub>2</sub> O                  |
| Max. Air Flow     | 47RPM                                     |
| Max. Noise Level  | 28.7dB(A)                                 |
| Bearing Type      | Sleeve Bearing                            |
| Life expectation  | 60,000 hrs,40°C                           |
| Connector         | 3-PIN                                     |
|                   | 4-PIN RGB: Male & Female                  |
| Fan Dimension     | 120x120x25mm                              |
| Color             | 7 Color with RF remote<br>16.8M with LUMI |

# HURRICANE RGB LITE fan



- The first RGB fan is to be connected to the RGB LED control board in the chassis, while the rest of them can be daisy chained to the first one with their own male and female plugs.



# HURRICANE RGB LITE fan

- If you have a RGB-compatible motherboard, then you can connect the Hurricane fan's 4-pin connector directly into your motherboard. You can then adjust fan colors using your native fan control software.

