

# AZZA

ONE VISION. ONE MISSION

# THOR

UP TO  
**380**  
mm  
VIDEO CARD

**2X**  
USB 3.0

**RGB**  
FAN

Tempered  
**Glass**



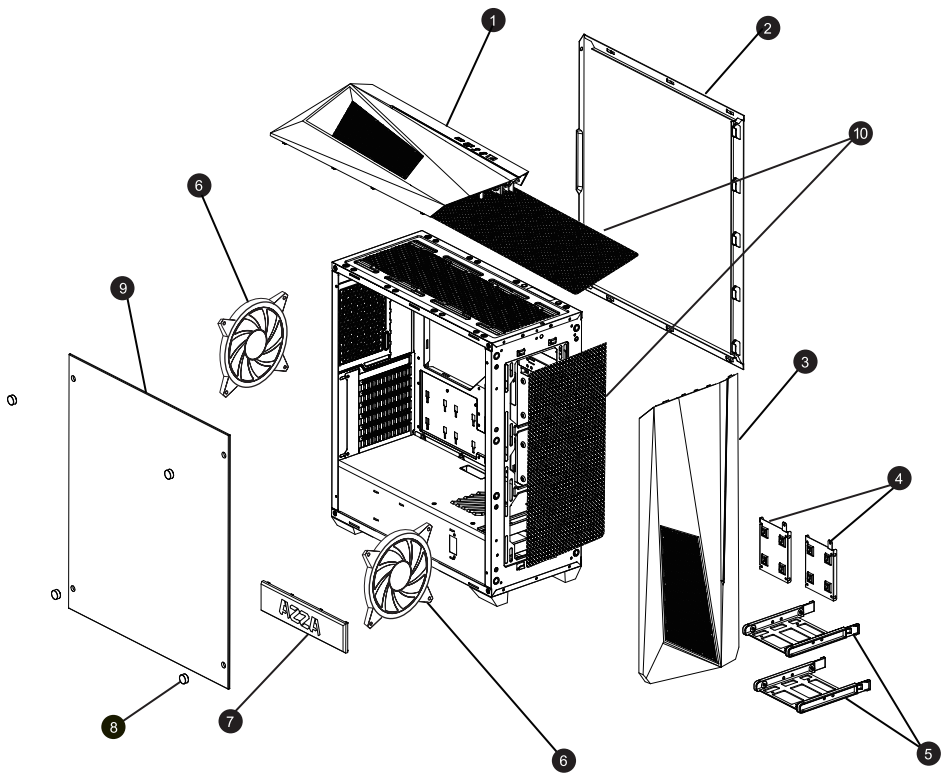
## USER MANUAL

[www.azzatek.com](http://www.azzatek.com)

1. Specifications
2. Chassis Parts
3. Control Panel Functions
4. 3.5"/2.5" HDD Installation
5. Cooling System Installation
6. AZZA RGB Fan

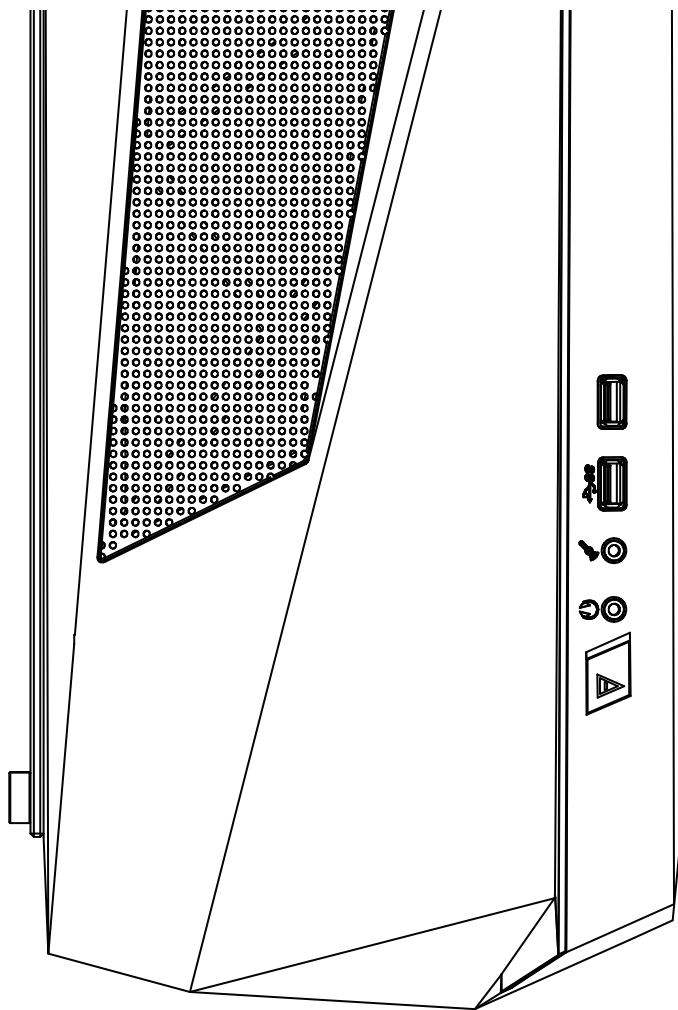
# Specifications





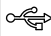
<b>Model</b>	
Model Name:	Thor
Model Number:	CSAZ-320
<b>Specifications</b>	
Type:	ATX Mid Tower
Color:	Black(exterior)/black(interior)
Side Panel Window:	Tempered Glass With Rubber Mounts
Max CPU Cooler Height:	Up to 155mm
Power Supply:	Not Included
Motherboard Compatibility:	ATX, Micro ATX
<b>Expansion</b>	
External 5.25" Drive Bays:	0
Internal 2.5" Drive Bays:	Up to 6
Internal 3.5" Drive Bays:	Up to 2
Expansion Slots:	7
Top Ports:	2xUSB3.0, HD Audio
<b>Cooling System</b>	
Fans Installed:	Front 1x120mm RGB fan, Rear 1x120mm RGB fan
<b>Physical Specifications</b>	
Dimensions (HxWxD):	538x205x465mm / 21.2x8.1x18.3 inch
Weight:	6.75 kg/14.9 lbs
<b>Features</b>	
RGB Light Effects:	RGB logo plate, RGB Light on Front and Top panels, 2x120mm RGB fans All RGB light devices controlled by RF Remote
Max Video Card Length:	Supports up to 380mm long video cards
Tempered Glass Side Window:	High-quality tempered glass side window allows for clear visuals to inner components
Available Fan Ports:	3x120mm or 2x140mm ports on the Top 3x120mm or 2x140mm ports in the front (1x120mm RGB Fan included) 1x120mm Fan port in the rear (1x120mm RGB Fan included)
Dust Filters:	Removable (magnetic) dustproof nets on the top and front panels Iron net on bottom of Chassis
Water Cooling:	Supports radiator up 360mm on top/280mm in front
Isolated Chamber:	Power supply is housed inside its own isolated chamber, preventing its heat from affecting other components
Easy Installation Cooler:	A pre-cut hole for easy installation of CPU Cooler, eliminating the need to remove the motherboard



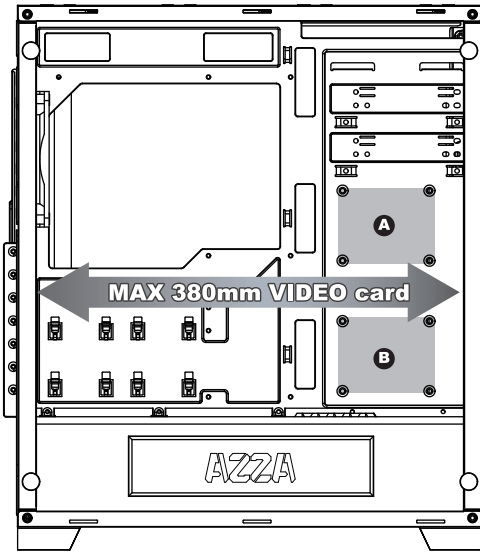
1	Top cover
2	Right side panel
3	Front bezel
4	SSD brackets
5	HDD/SSD tray
6	RGB fan x2
7	Logo plate with backlit RGB
8	Hand screw
9	Left side panel
10	Removable (magnetic) dustproof nets

# Control panel functions



	Power		Mic
	USB3.0(Blue)		Audio
	USB3.0(Blue)		

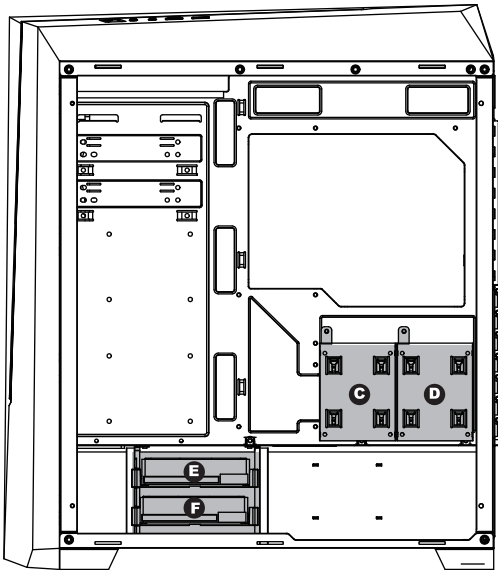
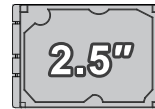
# 3.5" / 2.5" HDD Installation



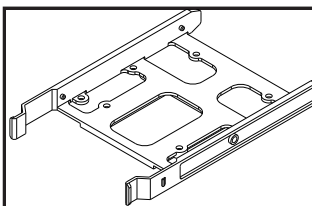
- Supports up to 380mm long video cards.



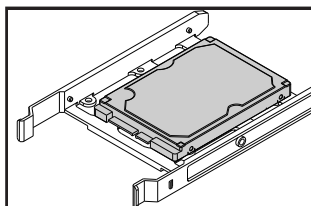
or



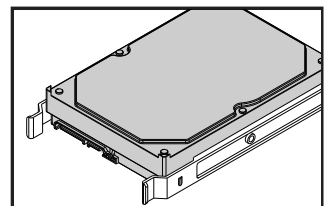
- Two mounting holes support 2.5" devices. (A B)
- Two brackets support 2.5" devices. (C D)
- Two multifunctional trays support 3.5" HDD or 2.5" SSD. (E F)



Multifunctional bracket.

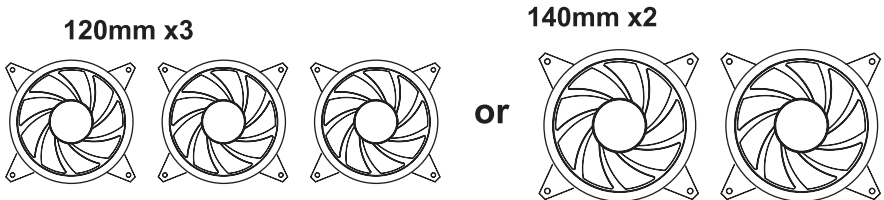
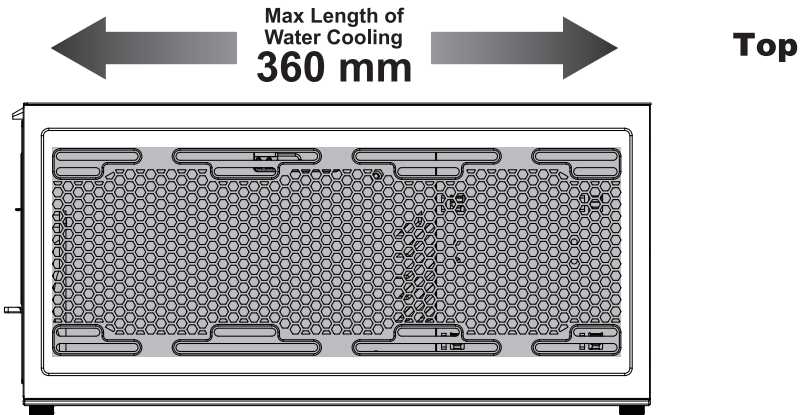
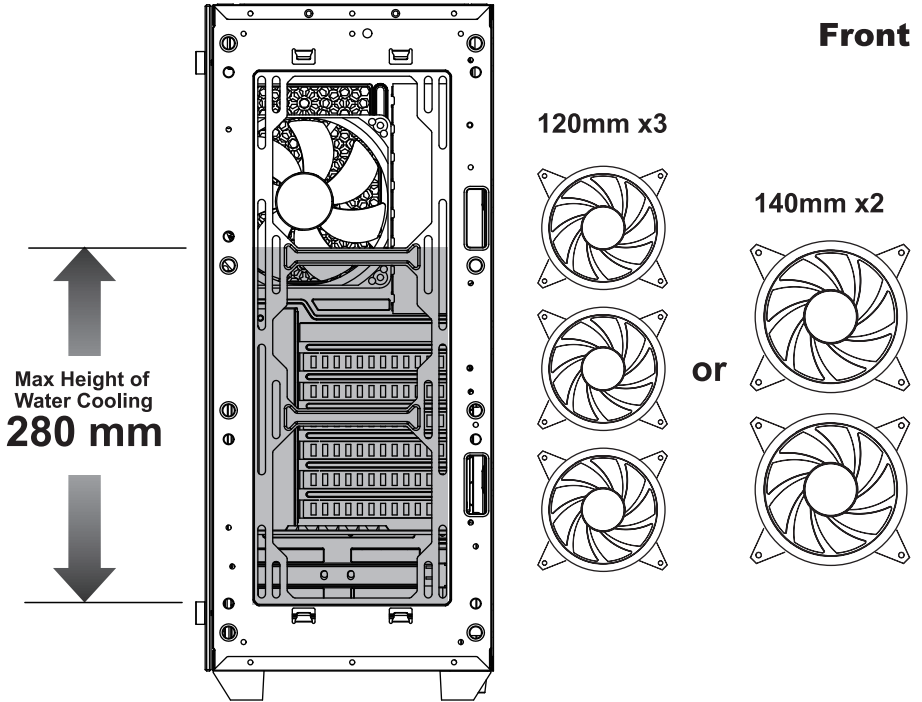


Secure 2.5" SSD / HDD with screws.



Secure 3.5" HDD with screws.

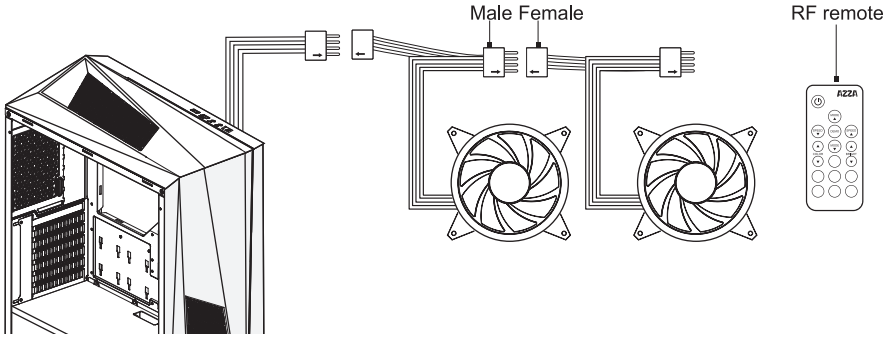
# Cooling System Installation



# AZZA RGB Fan

---

- The first RGB fan is to be connected to the RGB LED RF remote in the chassis, while the rest of them can be daisy chained to the first one with their own male and female plugs.











**AZZA**  
ONE VISION. ONE MISSION