



LUMINOUS 110

USER MANUAL

www.azdatek.com

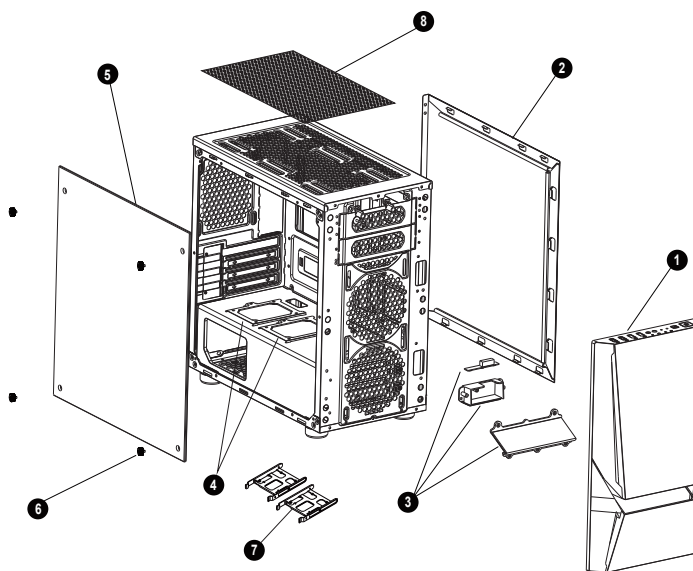
Installation Instructions

1. Specifications
2. Chassis Parts
3. Control Panel Functions
4. 3.5"/2.5" HDD Installation
5. Cooling System Installation
6. RGB Lighting Switching

Specifications

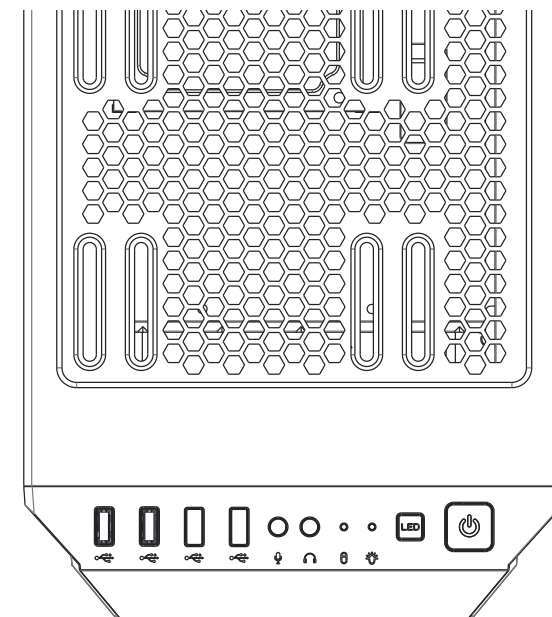
| Model | |
|-----------------------------|--|
| Model Name | LUMINOUS 110 |
| Model Number | CSAZ-110 / CSAZ-110F / CSAZ-110RF1 / CSAZ-110ADF |
| Specifications | |
| Type | Micro ATX Mid Tower |
| Color | Black(exterior)/black(interior) |
| Side Panel Window | Left Side panel: Tempered Glass with rubber mounts |
| Max CPU Cooler Height | Up to 165mm |
| Max Video Card Length | Up to 300mm long video card |
| Power Supply | Not Included |
| Motherboard Compatibility | Micro ATX |
| Expansion | |
| External 5.25" Drive Bays | 0 |
| Internal 2.5" Drive Bays | Up to 6 |
| Internal 3.5" Drive Bays | Up to 2 |
| Expansion Slots | 4 |
| Top Ports | Power button, LED button, HD Audio, USB 3.0 x1, USB2.0 x2 |
| Physical Specifications | |
| Case Dimension (HxWxD) | 397x209x435mm/15,6x8,2x17,1 inches |
| Weight | 4,3kg /9,5lbs |
| Features | |
| Tempered Glass Sides Window | High-quality tempered glass side window allows for clear visuals to inner components |
| RGB Light Effects | RGB AZZA logo on the front panel and controlled by the LED button on the top of front panel. 1x120mm RGB fan on the rear, controlled by the motherboard (CSAZ-110RF1 only). 1x120mm built-in automatic lighting mode digital RGB Fan on the rear (CSAZ-110ADF only). |
| Available Fan Ports | 3x120mm Fan ports in the front 2x120mm Fan ports on the top 1x120mm Fan port in the rear (1 x 120mm Black Fan included for model CSAZ-110F only) (1 x 120mm RGB Fan included for model CSAZ-110RF1 only) (1 x 120mm built-in automatic lighting mode digital RGB Fan included for model CSAZ-110ADF only) |
| Water Cooling | Supports radiators up to 240mm in the Front |
| Dust filters | Removable (magnetic) dustproof net on the top, iron net on bottom of chassis. |
| Power Supply Support | Bottom mounted ATX Power Supply |

Chassis Parts



| | |
|---|------------------------------------|
| 1 | Front panel |
| 2 | Right side panel |
| 3 | RGB logo plate |
| 4 | 2.5"SSD brackets X2 |
| 5 | Left side tempered glass panel |
| 6 | Screws for side glass panel |
| 7 | 3.5"HDD brackets X2 |
| 8 | Removable (magnetic) dustproof net |

Control panel functions



| | | | |
|--|---------------------|--|--------------------------|
| | Power button | | Mic |
| | LED changes button | | Audio |
| | Power Indicator | | USB2.0 |
| | Hard disk Indicator | | USB3.0(Blue) |
| | | | Optional USB type C slot |

3.5"/2.5" HDD Installation

• Supports up to 300mm long video cards.

MAX 300 mm VIDEO card

2.5" SSD brackets X2

3.5" or 2.5"

• Two brackets support 2.5" devices. (A, B)

• Two mounting holes support 2.5" devices. (C, D)

• Two multifunctional trays support 3.5" HDD or 2.5" SSD. (E, F)

Multifunctional bracket. Secure 2.5" SSD / HDD with screws. Secure 3.5" HDD with screws.

RGB Lighting Switching

Logo with RGB light effects on the front panel.

• Front panel LED connector.

Power

Press the LED button to cycle through different RGB lighting modes.

RGB Lighting Switching

(Model: CSAZ-110RF1)

The RGB fan connected to the compatible RGB motherboard with 4 pin header.

RGB Motherboard

SYS_FAN

RGB

Expansion Connector

Motherboard

Plug the RGB fans 4pin connector into your motherboard RGB header. You can adjust fan light colors with your compatible RGB motherboard software

Cooling System Installation

Front

120mm x3

Max Height of Water Cooling 240mm

Top

120mm x2

Cooling System Installation

Move HDD cage to install the fan on the front panel

Move HDD cage to install the Radiator and fan on the front panel

RGB Lighting Switching

(Model: CSAZ-110ADF)

Built-in automatic lighting mode Digital RGB Fan with Molex header connect to computer Power Supply .

Connect to power molex connector

Connect to sys-Fan of MB connector