

AZZA

ONE VISION. ONE MISSION



CUBE MINI 805

INNOVATIVE TEMPERED GLASS GAMING CASE

USER MANUAL

www.azzatek.com

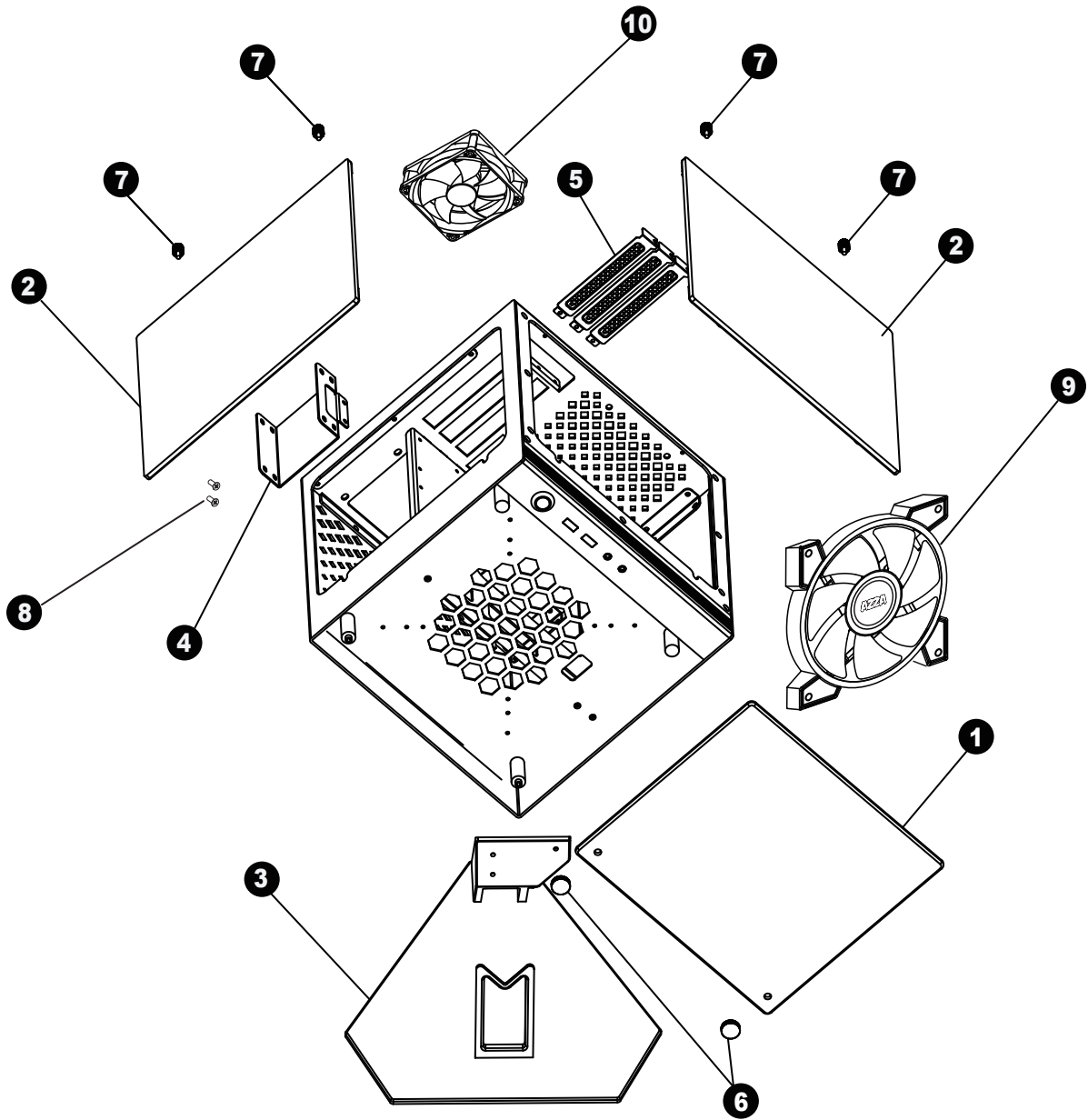
1. Specifications
2. Chassis Parts
3. Control Panel Functions
4. Removing Panels / SSD Tray
5. Power Supply / 2.5" SSD Installation
6. Mounting Stand
7. Cooling System Installation
8. AZZA Hurricane II Digital RGB Fan Installation For Motherboard

Specifications

Model	
Model Name	CUBE MINI 805
Model Number	CSAZ-805
Specifications	
Type	Mini ITX Tower
Color	Silver aluminum(exterior/interior)
Side Panel Window	Slidable tempered glass panelx2pcs and a magnetic tempered glass.
Max CPU Cooler Height	UP to 130mm
Max Video Card Length	Up to 200mm long Video card
Power Supply	Not included
Motherboard Compatibility	Mini ITX
Expansion	
External 5.25" Drive Bays	0
Internal 2.5" Drive Bays	Up to 2
Internal 3.5" Drive Bays	0
Expansion Slots	3
Front Ports	USB3.0 x 2, HD Audio
Physical Specifications	
Metal Chassis Dimensions (HxWxD)	260x260x260mm/10.2x10.2x10.2 inch
Dimension with Case Stand(HxWxD)	472x371x372mm / 18.6x14.6x14.6 inch
Weight	5.4kg /11.9lbs
Features	
Addressable RGB Light Effects	Addressable RGB fan on the front. All addressable RGB light devices controlled by motherboard.
Tempered Glass Side Window	High-quality tempered glass side window allows for clear visuals to innercomponents
Available Fan Ports	1x120mm or 1x140mm fan port on the front (1x140mm AZZA Hurricane II Digital RGB fan included) 1x80mm fan port in the rear (1x80mm black fan included)
Water Cooling:	Supports radiators up to 120/140mm in the Front
Isolated Chamber	Dual-chamber design. Power Supply is housed in one of the chamber bottoms, preventing its heat from affecting other components.
Easy Installation Cooler	A pre-cut hole for easy installation of CPU Cooler, eliminating the need to remove the motherboard

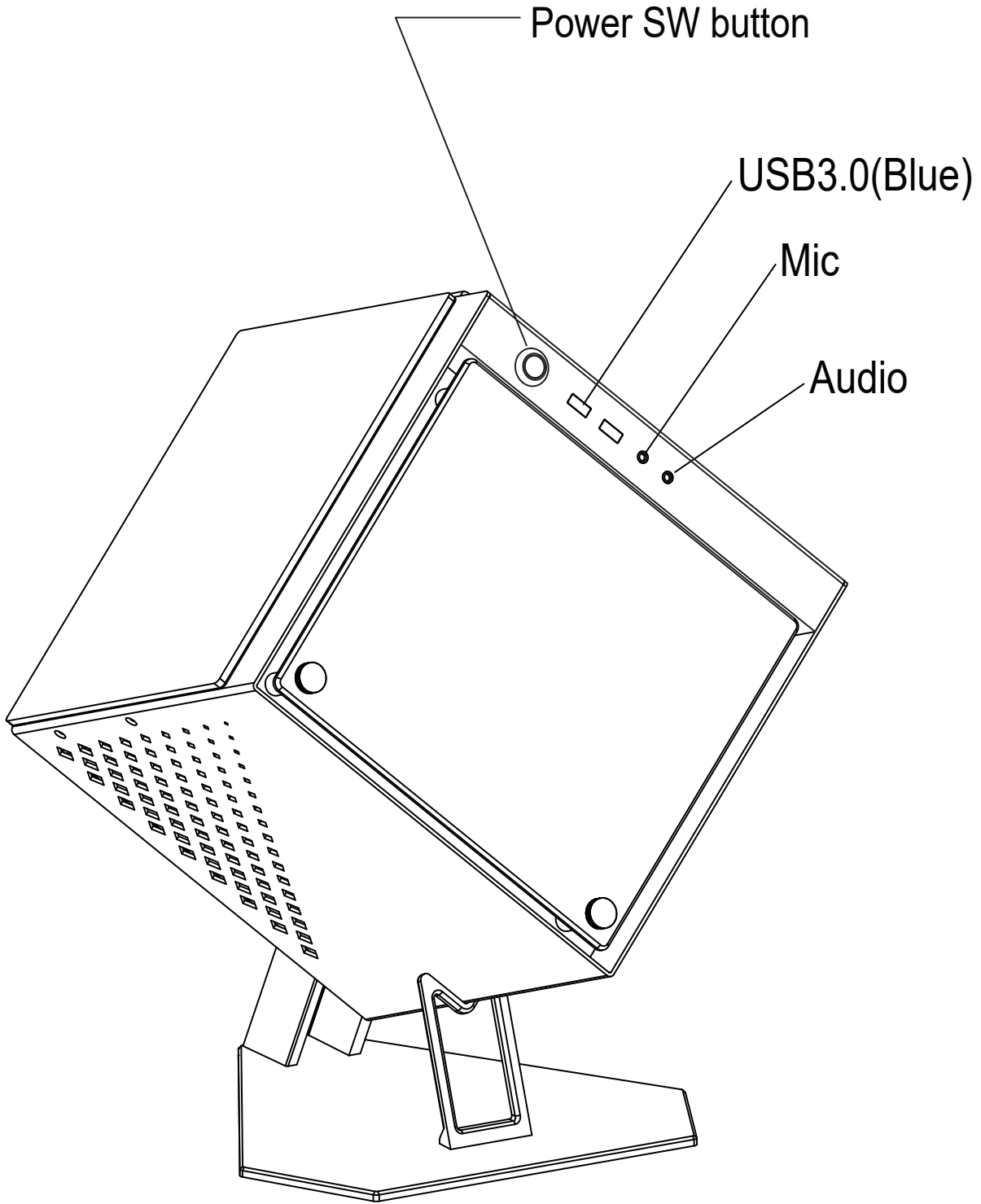
※PWM Fan:The model comes with PWM fans and will run at top speed unless connected to a motherboard or controller.

Chassis Parts

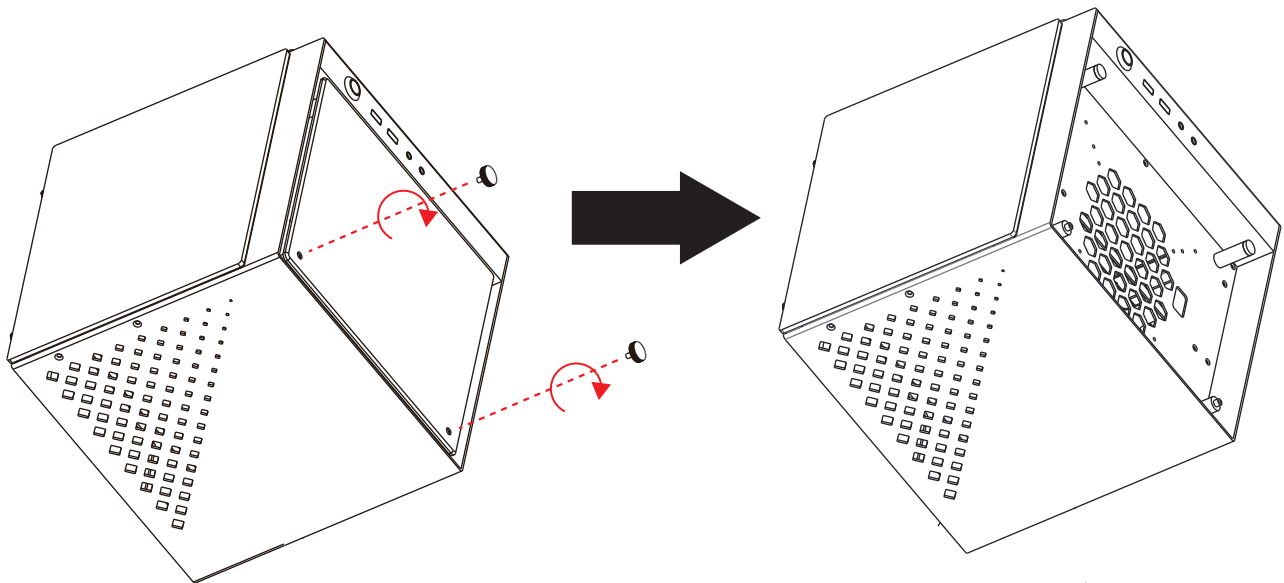


1	Magnetic tempered glass front panel
2	Slidable tempered glass panel x2
3	Stand
4	SSD tray
5	PCIe slot cover x3
6	M3x8 screw x3
7	Hand screw x4
8	M3x6 screw x2
9	AZZA Hurricane II 140mm fan x1
10	80mm fan x1

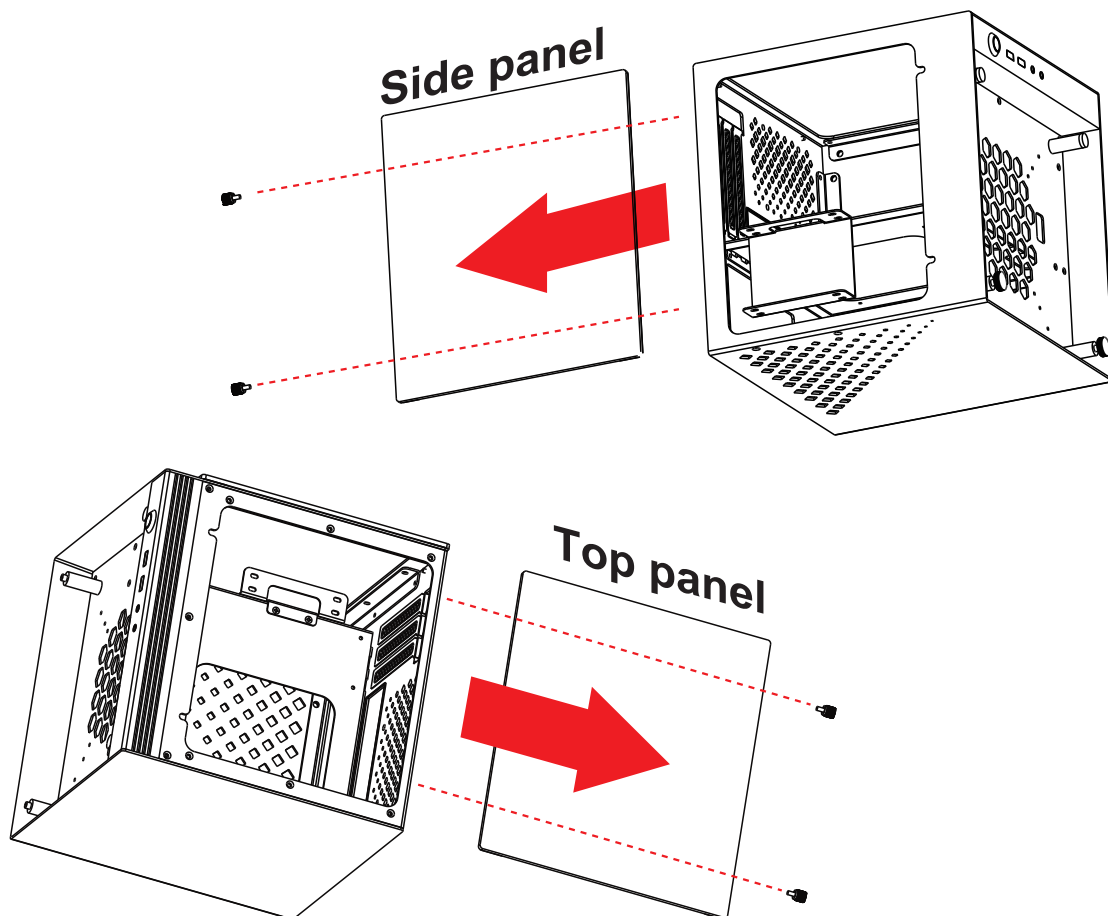
Control Panel Functions



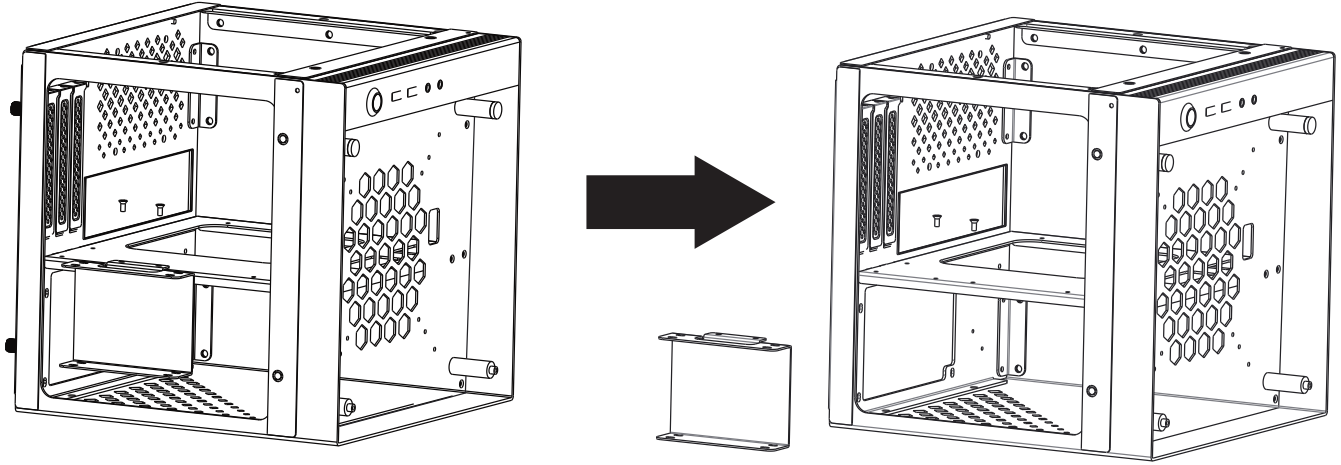
Removing The Front Panels



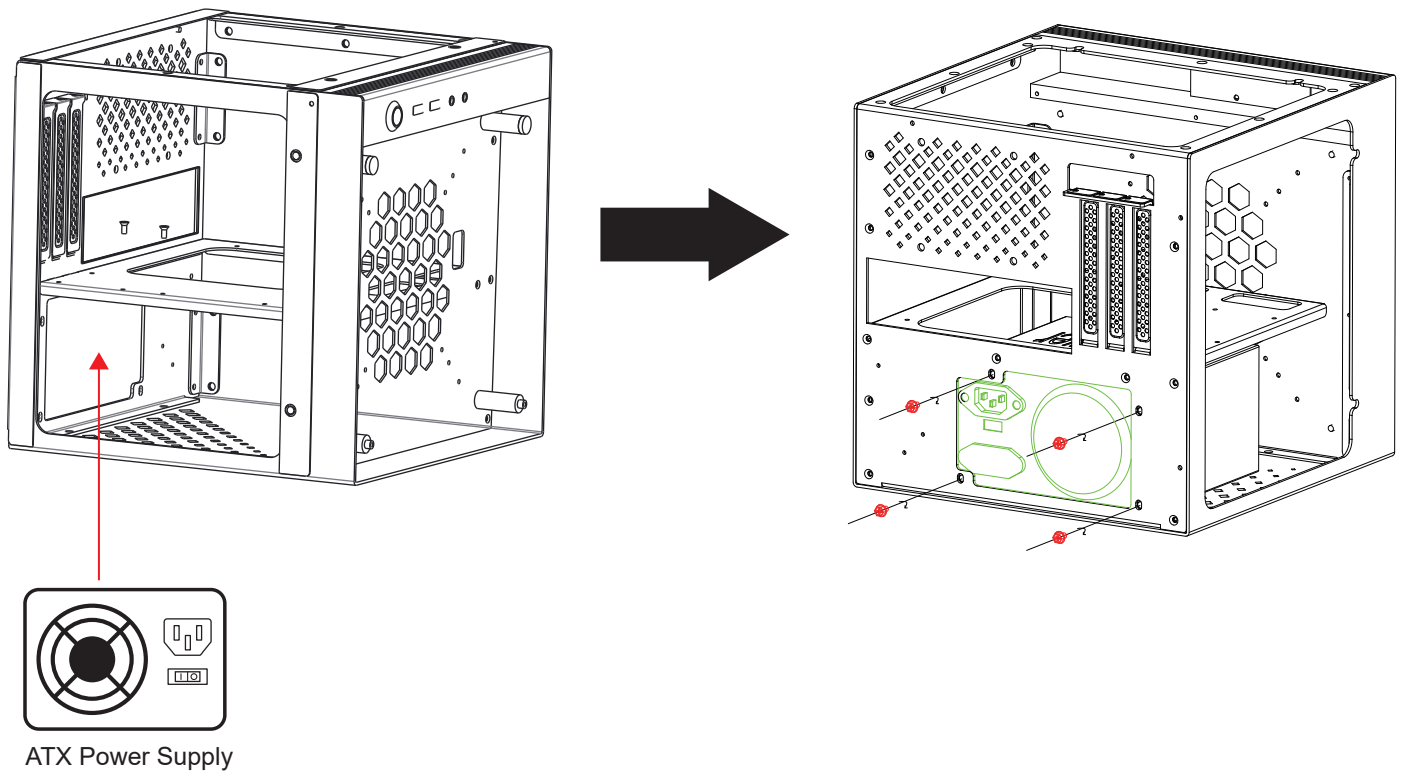
Removing The Side & Top Panel



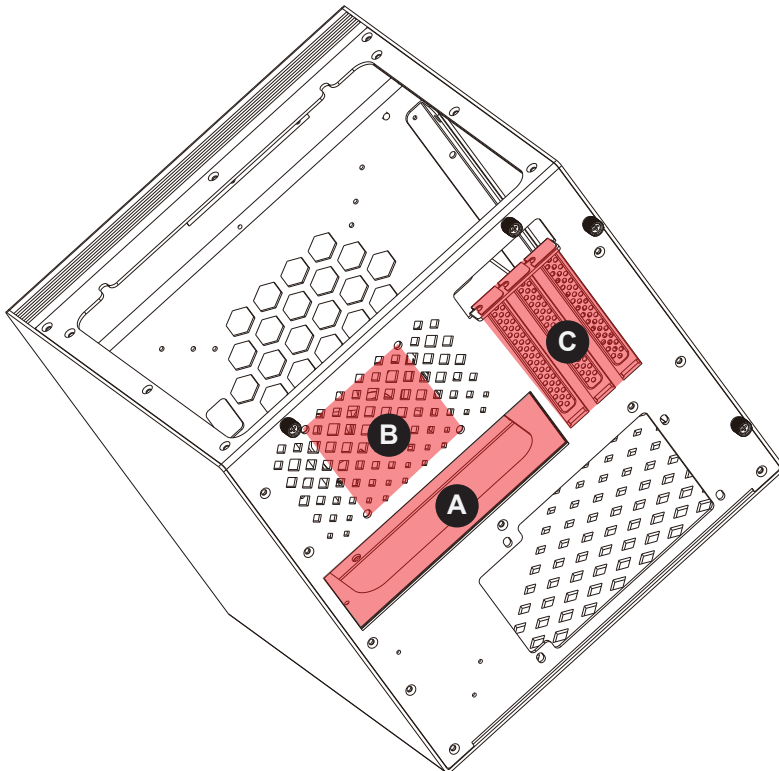
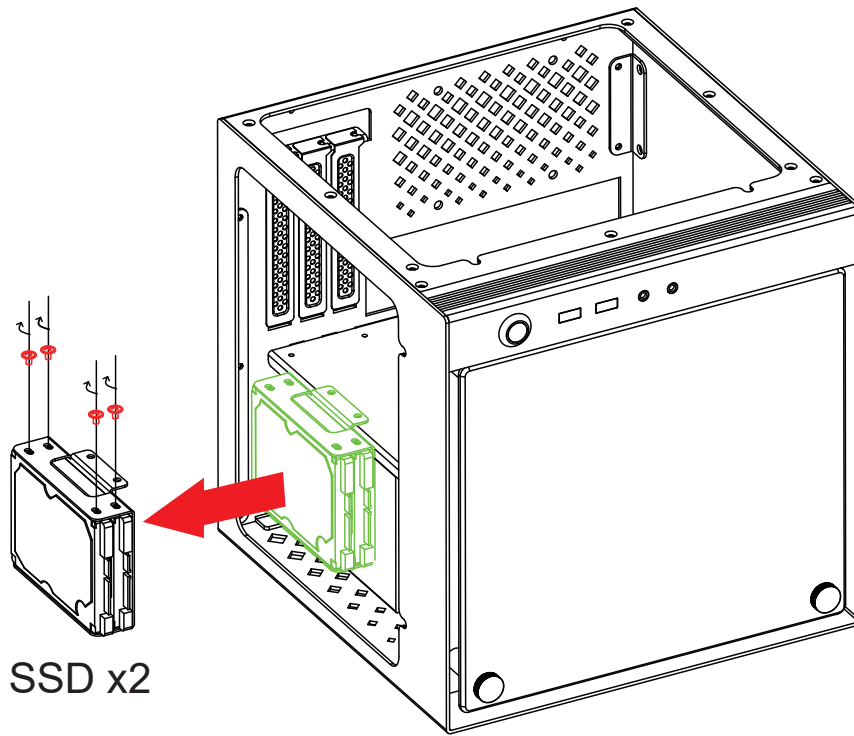
Removing The SSD Tray



The Power Supply Installation

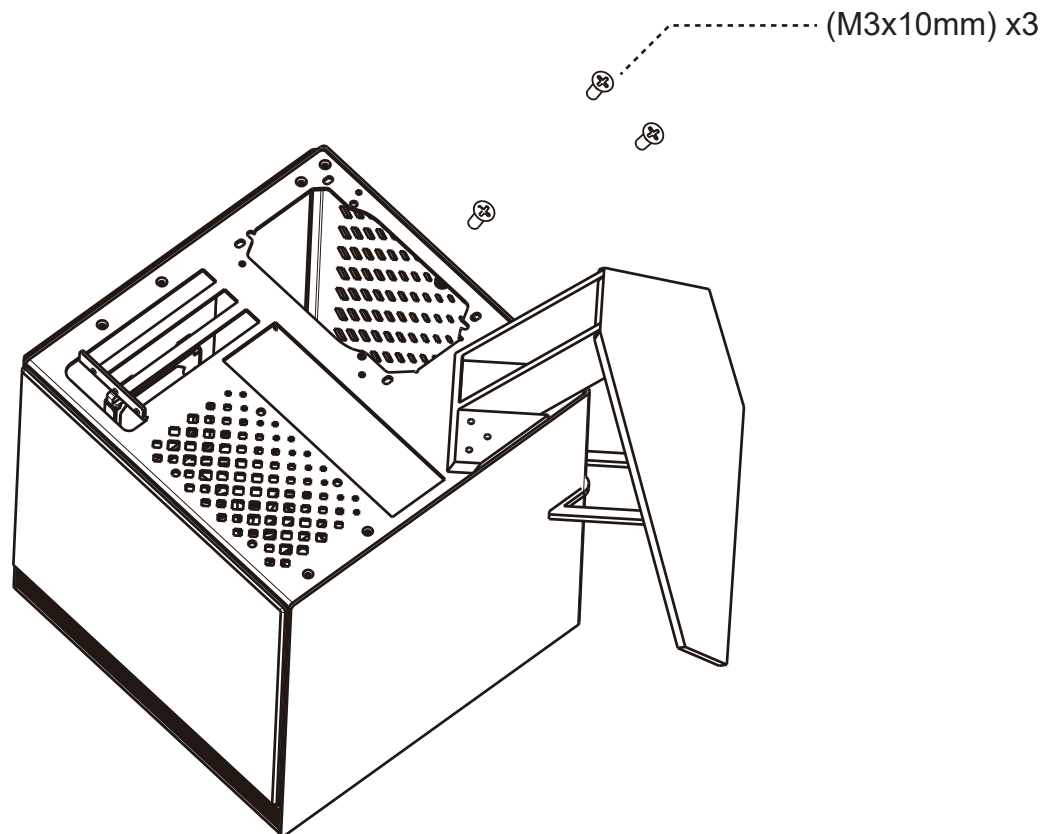


2.5" SSD Installation



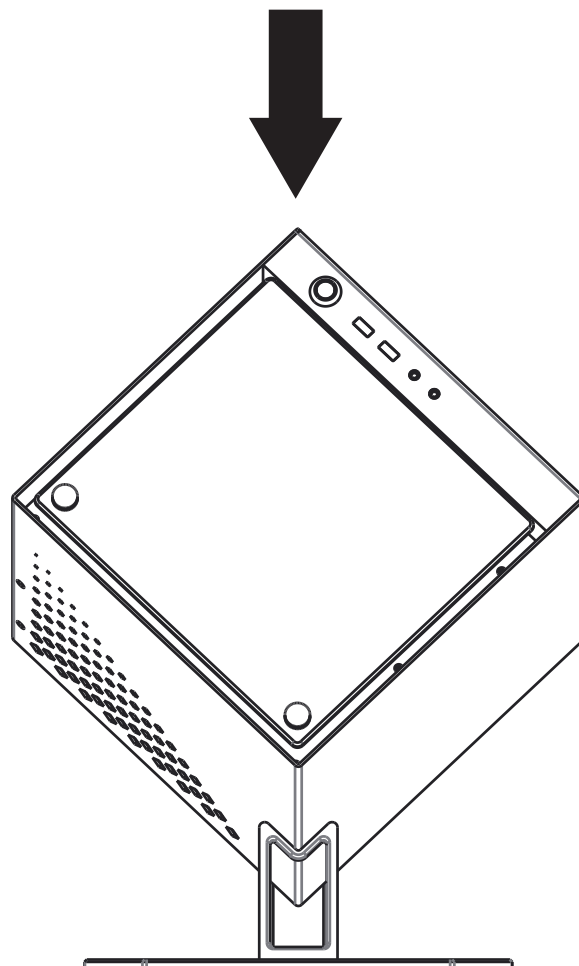
- A** ITX motherboard
- B** Supports a 80mm fan in the rear(installed)
- C** Supports the Video card with 3 slots

Mounting Stand

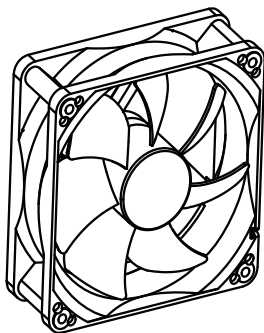


Suggestion:

When installing the stand on the chassis, we suggest you prepare a soft pad or cardboard on the flat table, then, upside down the chassis to easily mount the stand with chassis by M3 screws.

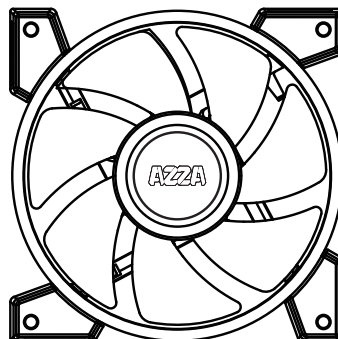


Rear



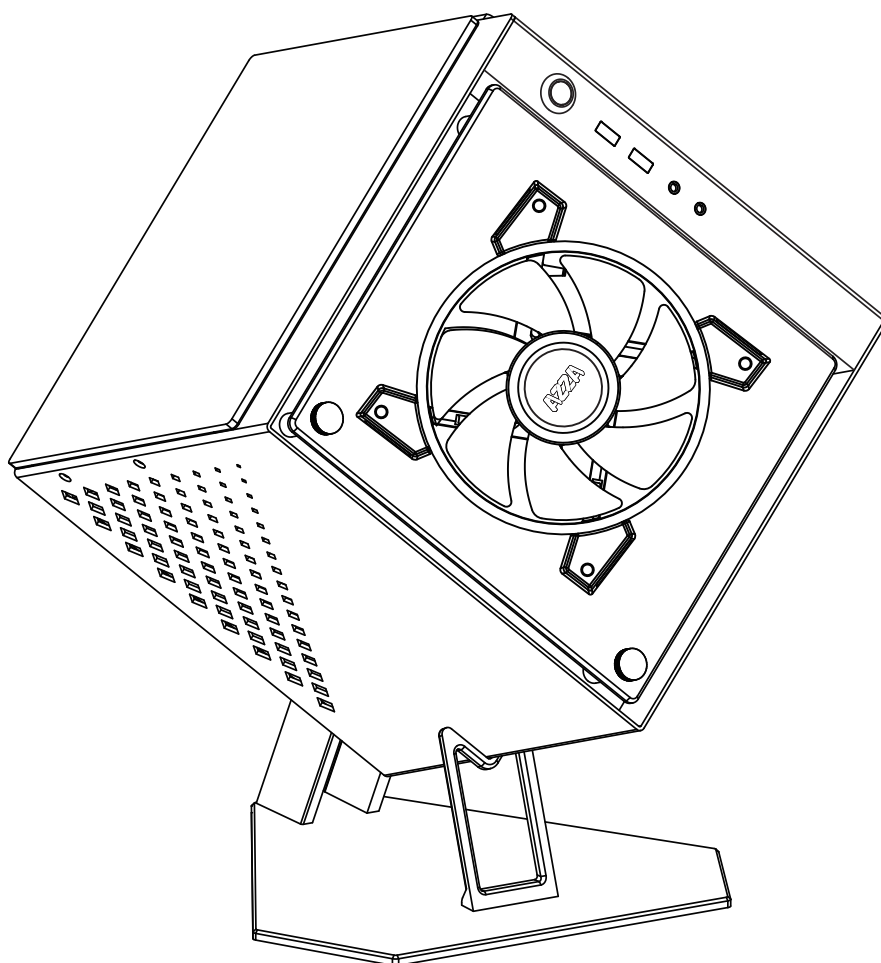
80mm x1

Front



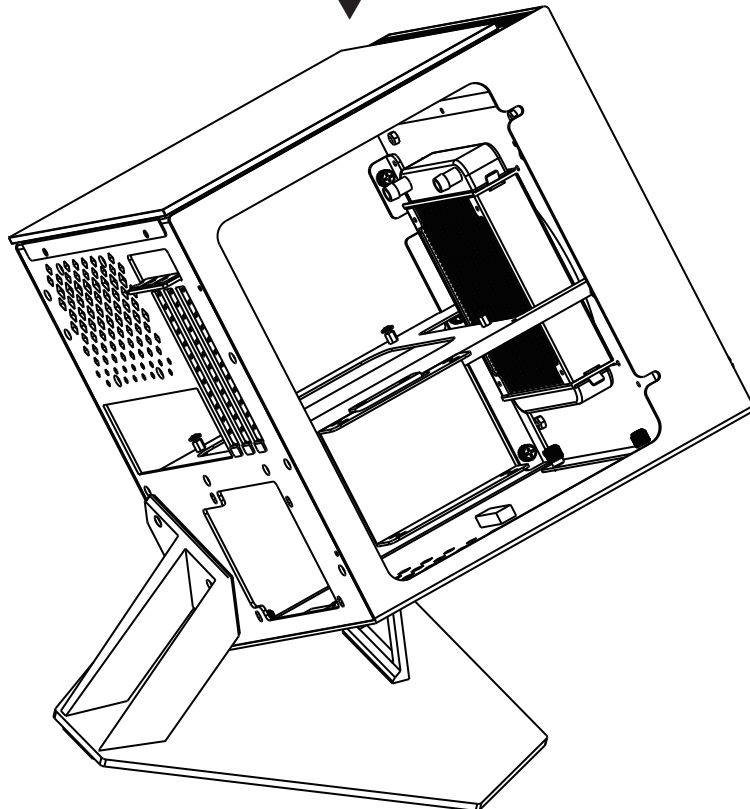
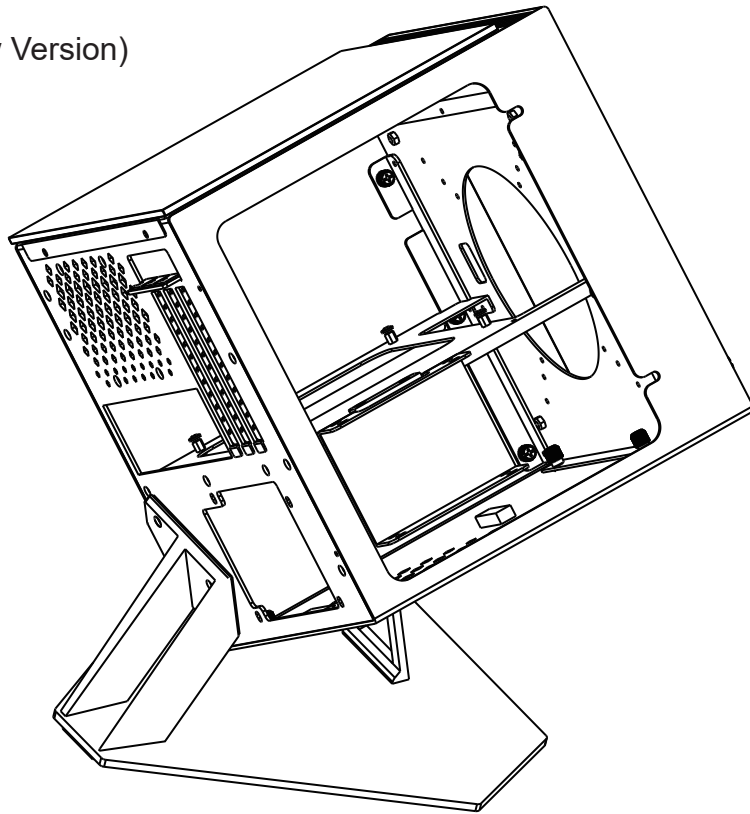
120mm x1 or 140mm x1

- Install the fan between the chassis and glass panel.

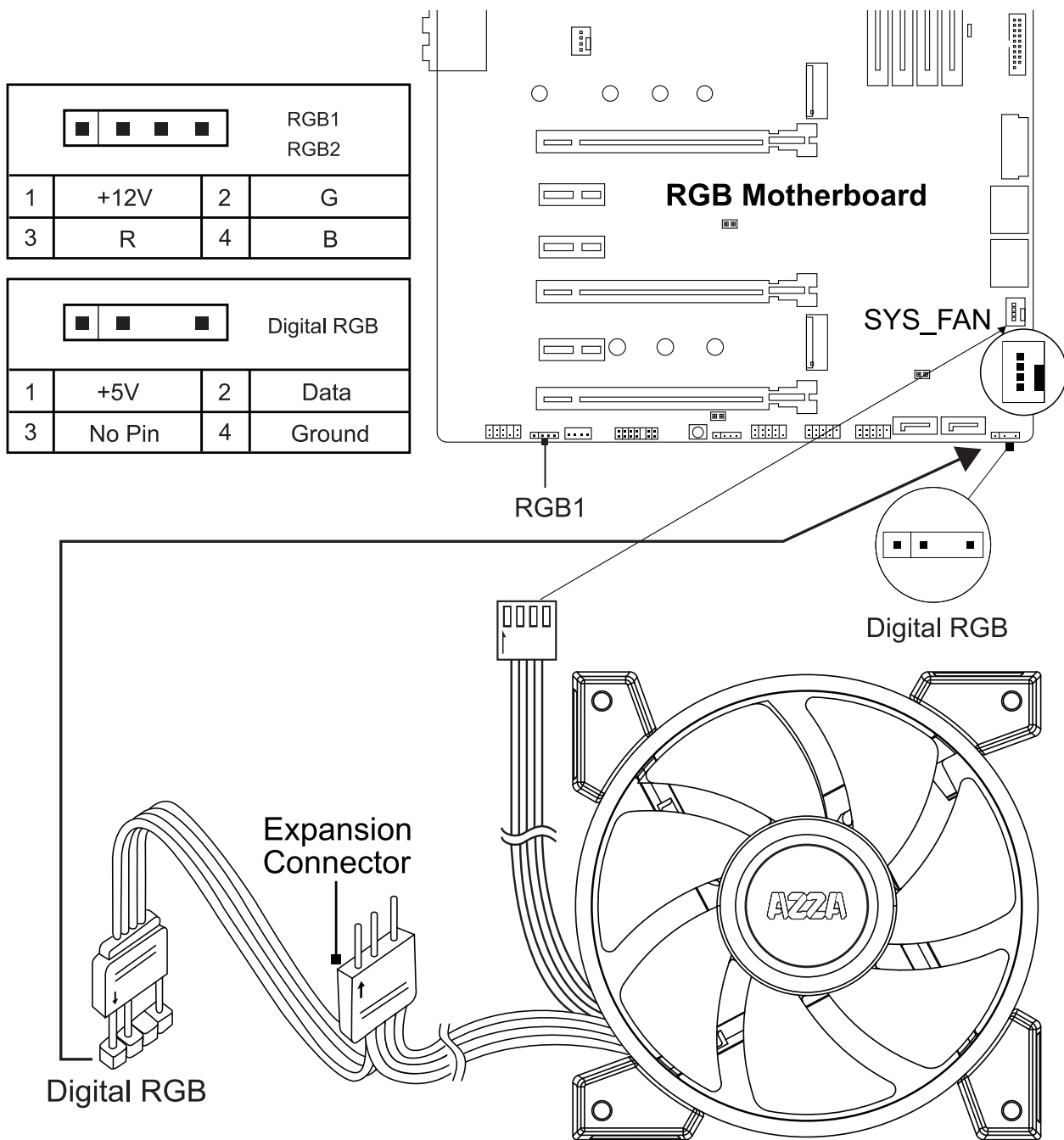


Cooling System Installation

(2020 New Version)



AZZA Hurricane II Digital RGB Fan Installation For Motherboard



WARNING!

The addressable RGB fans can connect directly to the 5V addressable headers of compatible motherboards, such as those from MSI™, ASUS™ Gigabyte™ and ASROCK™.

Please note: Only 5V addressable header from compatible motherboards are supported; please do Not connect the fan to a 12V non-addressable header.

Please check your motherboard's specifications before use. Do not go past the motherboard's allowed limits on power ratings and LED count when connecting multiple fans / LED strips.

AZZA
ONE VISION. ONE MISSION