

AZZA

ONE VISION. ONE MISSION

PHOTIOS 250

USER MANUAL



www.azzatek.com

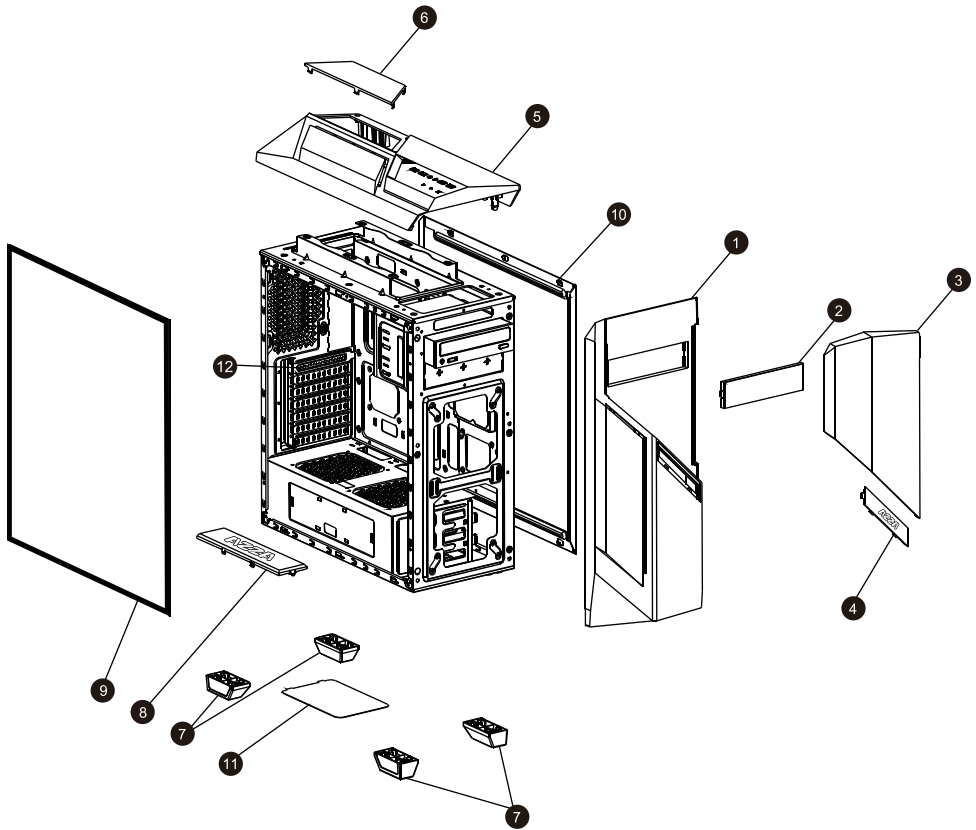
AZZA
ONE VISION. ONE MISSION

1. Specifications
2. Chassis Parts
3. Control Panel Functions
4. ODD Installation
5. Outstanding Expandability / Excellent Compatibility
6. 3.5"/2.5" HDD Installation
7. Optional Liquid Cooling System

Specifications

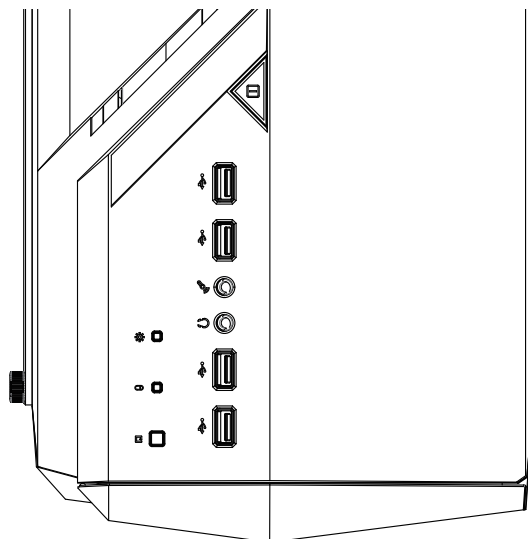
Model	
Model Name:	Photios
Model Number:	CSAZ-250 / CSAZ-250X
Specs	
Type:	ATX Mid-Tower
Color:	Black
Side Panel Window:	Tempered Glass
Max CPU Cooler Height	Up to 155mm
With Power Supply:	No
Motherboard Compatibility:	ATX, Full ATX, Micro ATX
Expansion	
External 5.25" Drive Bays:	1
External 3.5" Drive Bays:	0
Internal 2.5" Drive Bays	Up to 5
Internal 3.5" Drive Bays:	Up to 3
Expansion slots:	7
Front Ports	
CSAZ-250:	1xUSB 3.0; 3xUSB 2.0; Audio port
CSAZ-250X:	2xUSB 3.0; 2xUSB 2.0; Audio port
Cooling System	
120mm Fan:	120mm LED front fan; 120mm black rear fan
Physical Specs	
Dimensions(HxWxD)	532mm x 198mm x 453mm
Weight	6.3kg (13.89 lbs)
Features	
Max VGA card length	Supports up to 380mm long VGA cards
Tempered Glass Side Window	High-quality tempered glass side window allows for clear visuals to inner components.
Available Fan Ports	2x120mm fan ports on top 2x120mm/2x140mm fan ports in front(1x120mm LED fan installed) 2x120mm fan ports on bottom 1x120mm fan port in rear(installed)
Supports Water Cooling	Supports 120mm/140mm/240mm water cooling radiator
Bottom Mount Power Supply:	Power supply located at the bottom
Cable Management:	Cables are hidden behind the pre-drilled motherboard tray-- better cable management means better air flow









Chassis parts



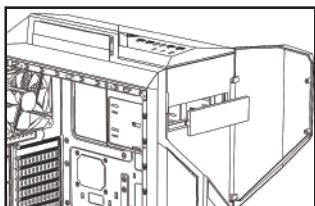
1	Front bezel
2	5.25" Device cover X1
3	Door
4	logo plate
5	Top cover
6	Acrylic cover
7	Stand X4
8	Logo plate with back lights
9	Left side panel
10	Right side panel
11	Dust filter
12	PCI slot cover

Control panel functions

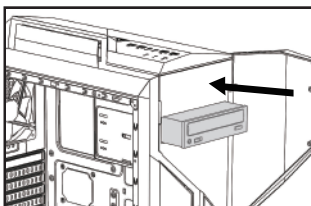


	Power LED		USB3.0(Blue)
	HDD LED		USB2.0(Black)
	Reset		Mic
	Power		Audio

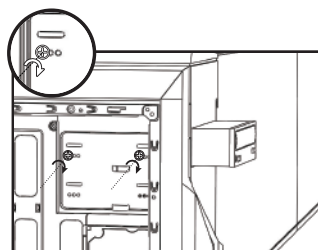
ODD Installation



Take out drive cover.

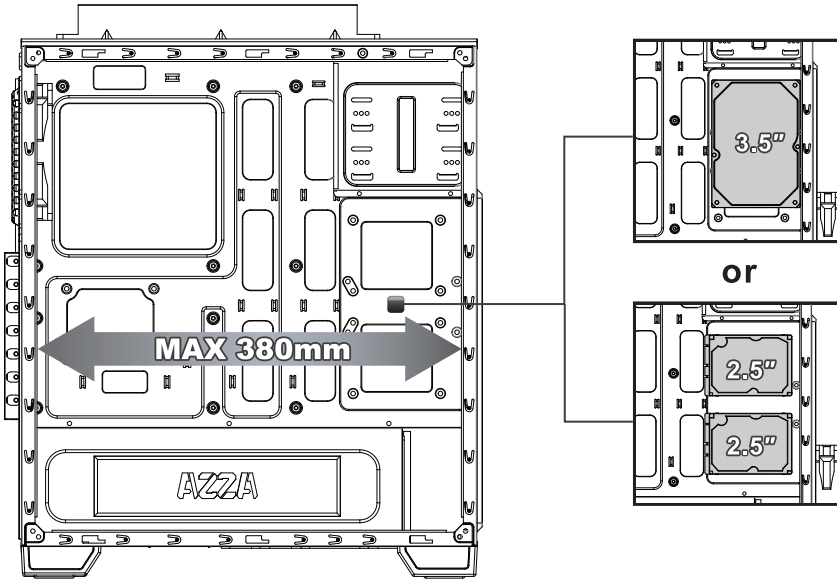


Insert ODD drive.



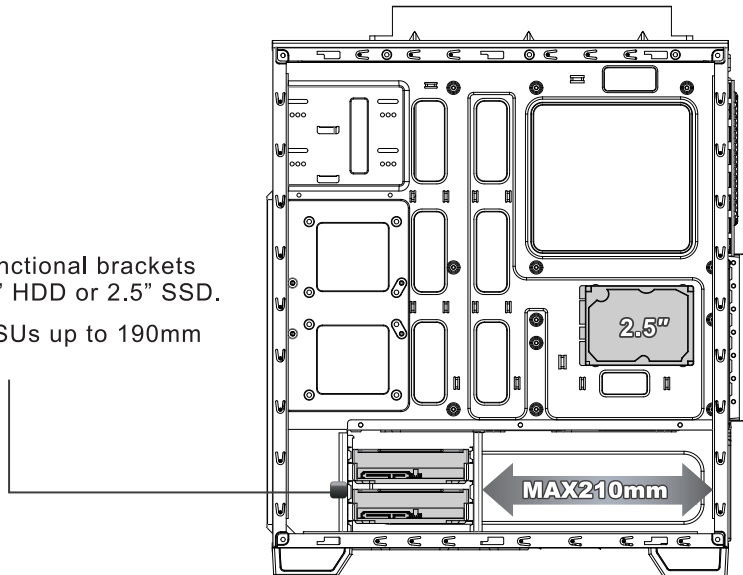
Fix ODD drive.

Outstanding Expandability/Excellent Compatibility

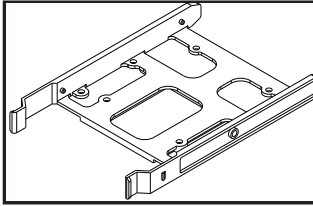


- Two 2.5" SSD or one 3.5" HDD can be installed on the MB side.
- Supports VGA cards up to 380mm in length.

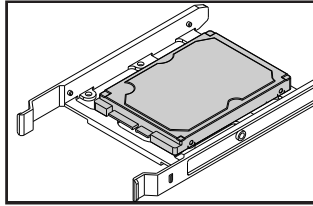
- Two multifunctional brackets support 3.5" HDD or 2.5" SSD.
- Supports PSUs up to 190mm in length.



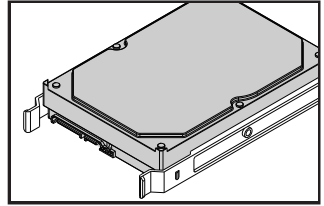
3.5 "/ 2.5" HDD Installation



Multifunctional bracket.



Fix 2.5" SSD / HDD with screws.



Fix 3.5" HDD with screws.

Optional liquid cooling system

