

**PERFORMANCE**

INNOVATIVE TEMPERED GLASS GAMING CASE



**CSAZ-804**

**USER MANUAL**

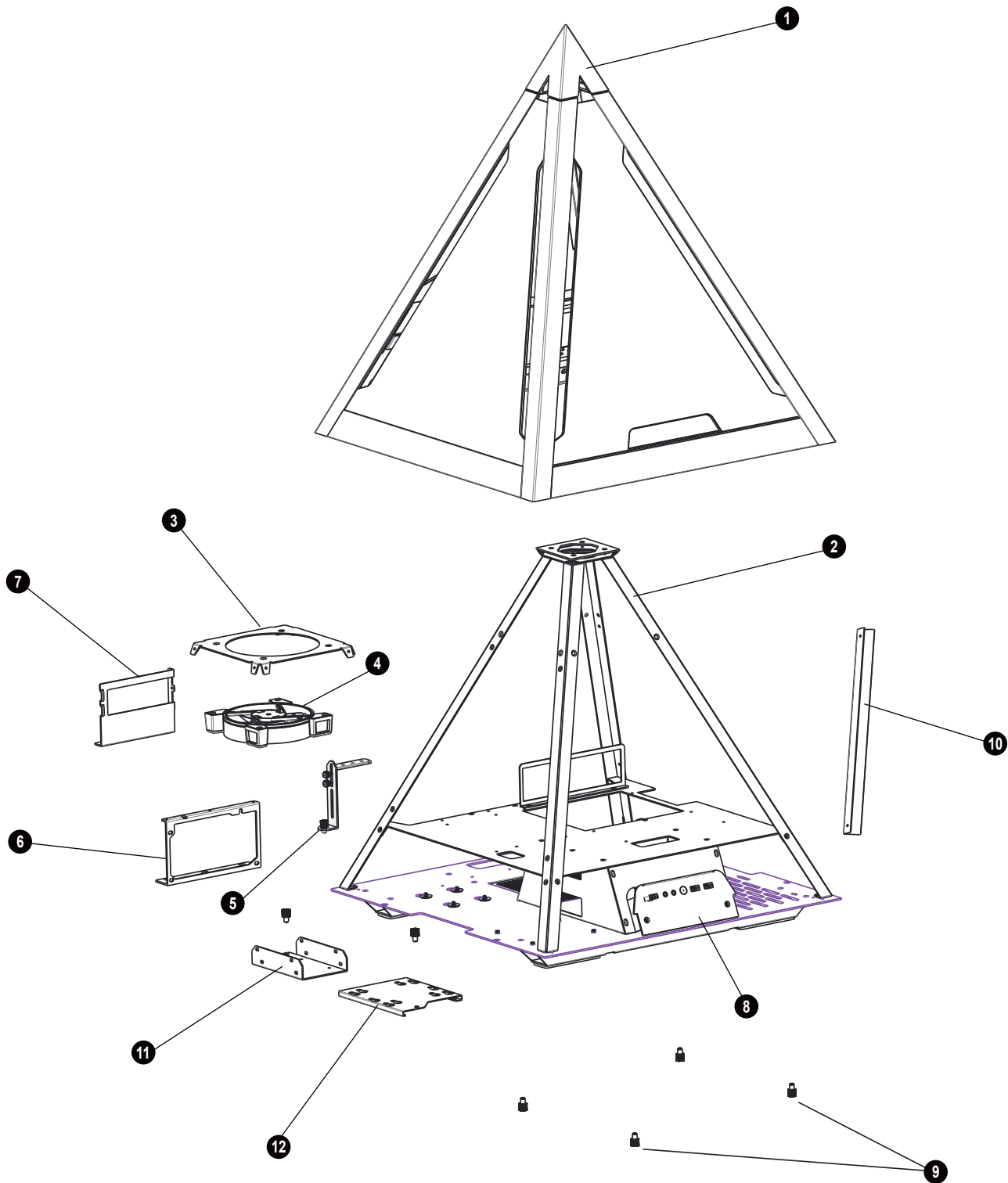
[www.azzatek.com](http://www.azzatek.com)

1. Specifications
2. Chassis Parts
3. Removing The Top Glass Panel
4. Overview
5. Supported Motherboards
6. Power Supply Installation
7. Video Card Installation
8. Water Radiator Installation
9. 2.5"SSD / 3.5"HDD Installation
10. PCI-E Cable
11. Fan Installation
12. Digital RGB Fan Installation For Motherboard

<b>Model</b>	
Model Name:	PYRAMID 804
Name:	CSAZ-804
<b>Specifications</b>	
Type:	ATX Tower
Color:	1.5~2.0mm SPCC+ 2.5mm Aluminum
Side Panel Window:	4 sides of top panel are tempered glass
Max. CPU Cooler Height:	UP to 80mm
Max. GPU Dimensions:	L=300 mm / W=132 mm / H=47 mm (Horizontal)
Power Supply:	Not included
Motherboard Compatibility:	<305 x280mm SSI-CEB 、 ATX
<b>Expansion</b>	
External 5.25" Drive Bays:	0
Internal 2.5" Drive Bays:	Up to 2
Internal 3.5" Drive Bays:	Up to 1 (Convertible with 2.5"SSDx1 )
Expansion Slots:	2
Front Ports:	2xUSB 3.0 、 HD Audio 、 Type C 、 Metal Power Button
<b>Physical Specifications</b>	
Metal Chassis Dimensions (HxWxD)	558x490x490/22x19.3x19.3 inch
Physical Dimensions (HxWxD)	585x490x490mm/23x19.3x19.3 inch
Weight:	14kg /30.9lbs
<b>Features</b>	
Tempered Glass Side Window:	High-quality tempered glass side window allows for clear visuals to inner components
Available Fan Ports:	1x120mm Fan port in the Top(1x 120mm Hurricane II Digital RGB Fan included ) 3x120mm Fan port on the Bottom
Water Cooling:	Supports radiators up to 360mm on the bottom
Isolated Chamber:	ATX Power supply inside its own isolated chamber, preventing its heat from affecting other components
Easy Installation Cooler:	A pre-cut hole for easy installation of CPU Cooler, eliminating the need to remove the motherboard
Accessories	15cm PCI-E 3.0 extension cable for VGA card(Support EATX 、 ATX MB) Adjustable video card holder Stand & Tempered glass (optional)

※ PWM Fan:The model comes with PWM fans and will run at top speed unless connected to a motherboard or controller.

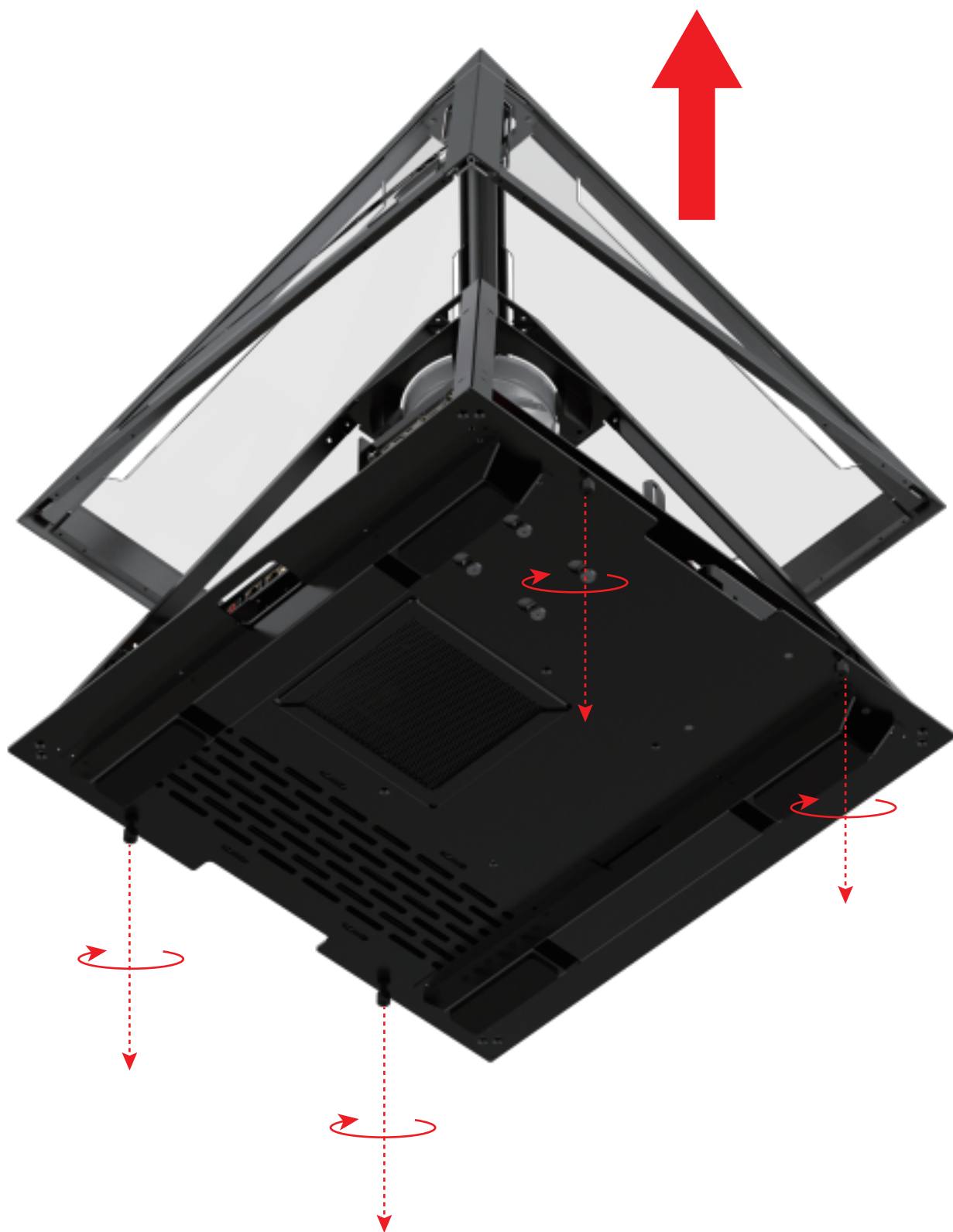
# Chassis parts



1	TOP tempered glass panel cover	7	Horizontal PCIe slot
2	Pyramid structure	8	I/O Ports: USB 3.0 x 2 , Type C, HD Audio
3	Fan bracket	9	Spring bolt screw of top panel cover
4	12cm ARGB Fan	10	Fan Cable management Cover
5	Adiustable Video Card Holder	11	2.5"SSD brackets X1
6	Power supply rack	12	3.5"HDD /2.5"SSD Spring Bolt Tray X1

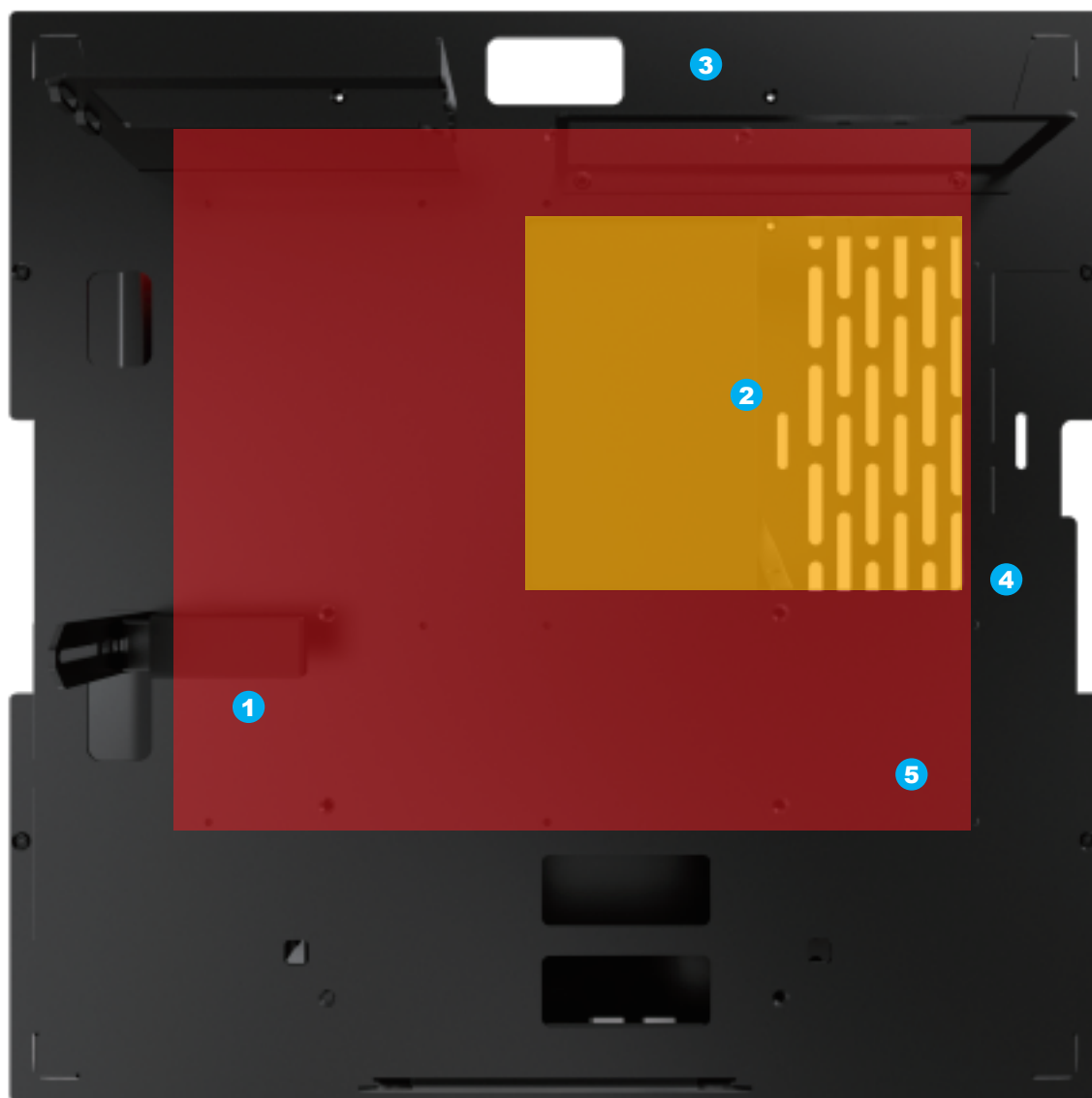
## Removing The Top Glass Panel

Lift to remove top panel



Loosen the four screws

\* Product photos are for reference only.



- 1 Adjustable video card holder
- 2 Pre-cut hole for CPU cooling
- 3 Power cord management hole
- 4 Water radiator management hole
- 5 motherboard mount

\* Product photos are for reference only.

## Supported Motherboards

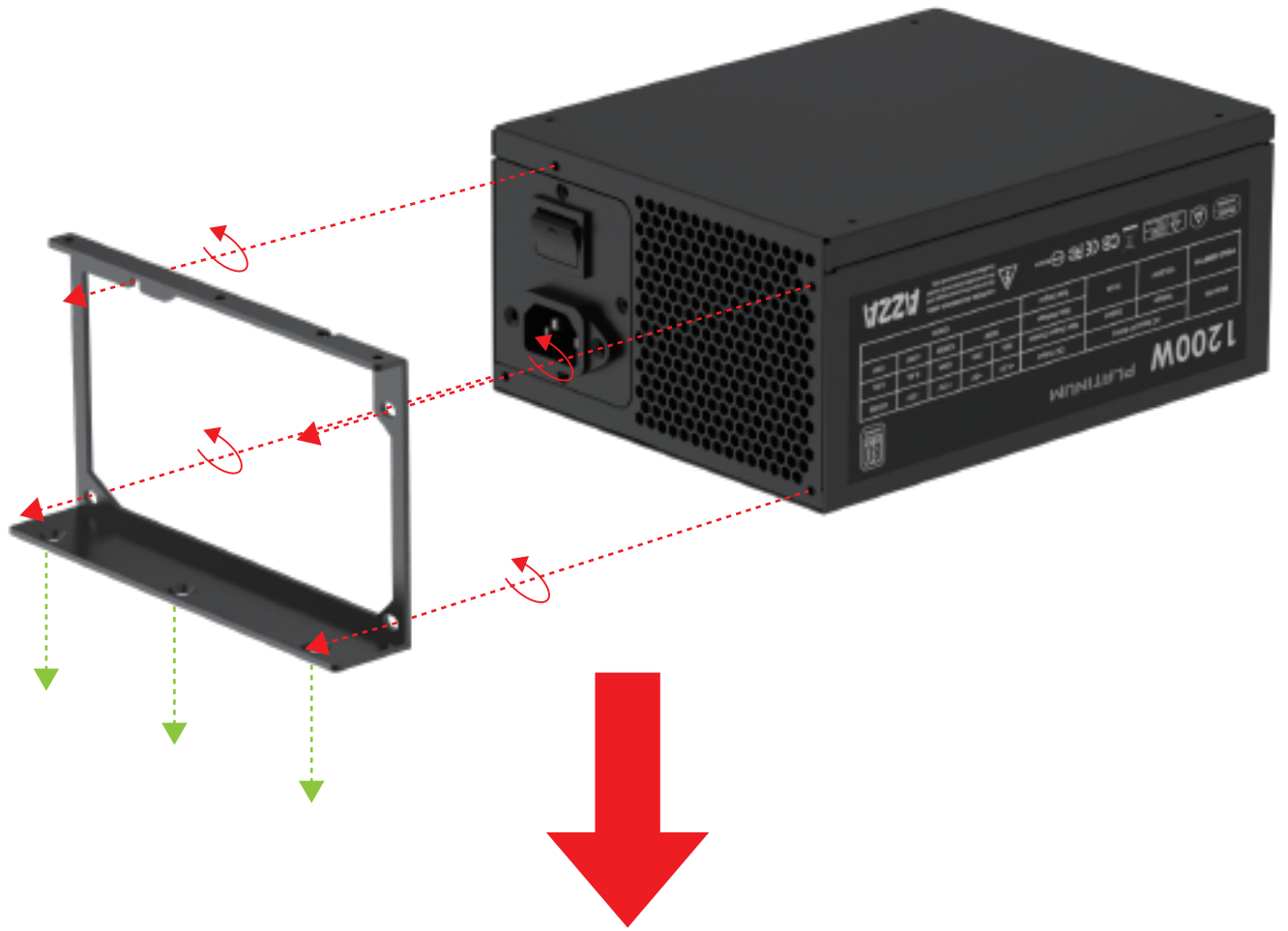


Maximum: <305 x280mm SSI-CEB

Minimum : ATX Motherboard

\* Product photos are for reference only.

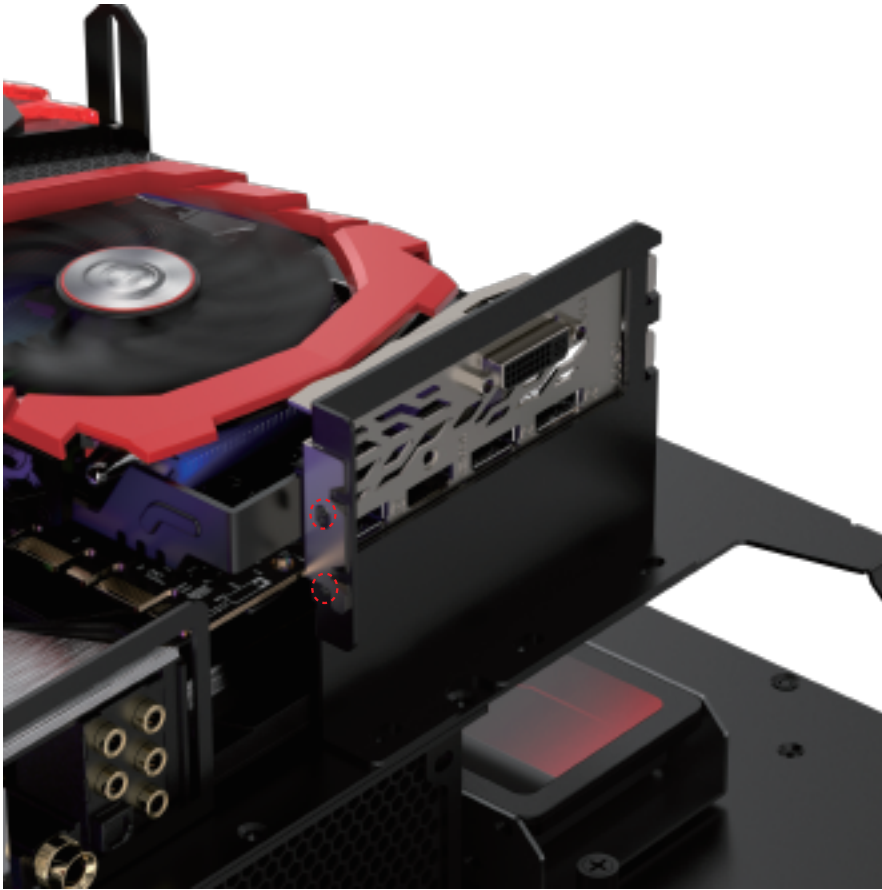
# Power Supply Installation



\* Product photos are for reference only.



## Video Card Installation



- Tighten the screws to secure the video card.



\* Product photos are for reference only.

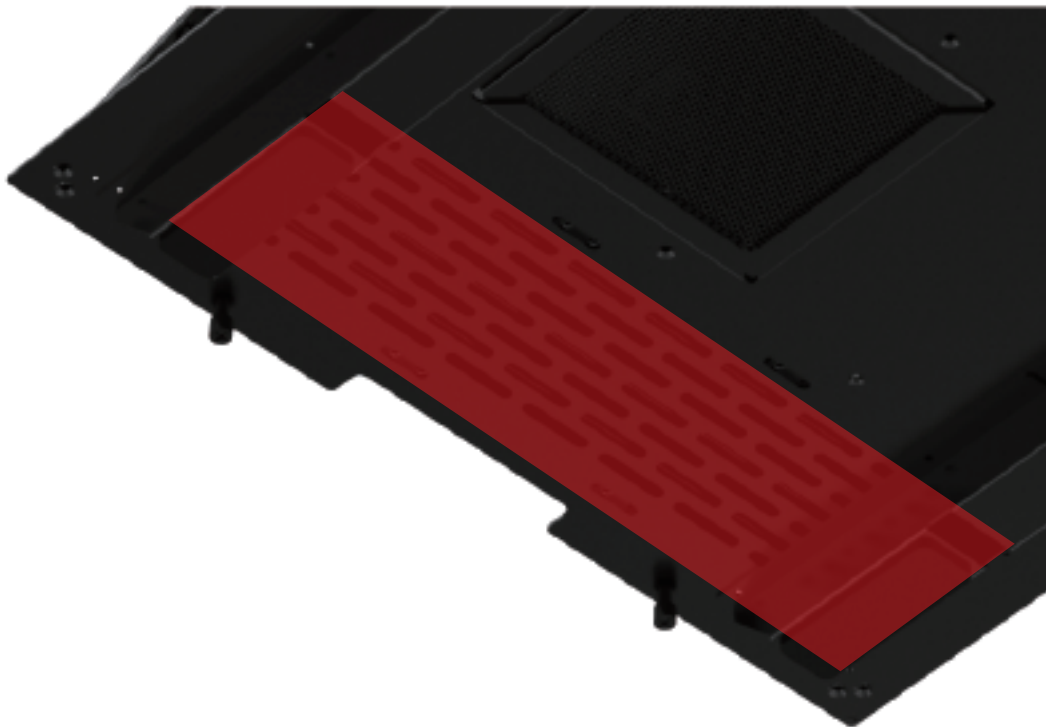
## Bottom View



- Secure the screws of the water radiator.

\* Product photos are for reference only.

## Water Radiator Installation



- Supports up to 120mm fans x 3 / 240 / 360mm water radiator

\* Product photos are for reference only.

## 2.5"SSD / 3.5"HDD Installation



(I) 2.5" SSD spring bolt tray: Supports up to 2.5" SSD x 2

(II) 3.5" HDD spring bolt tray: Supports 3.5 HDD x 1  
(also compatible with a 2.5" SSD)

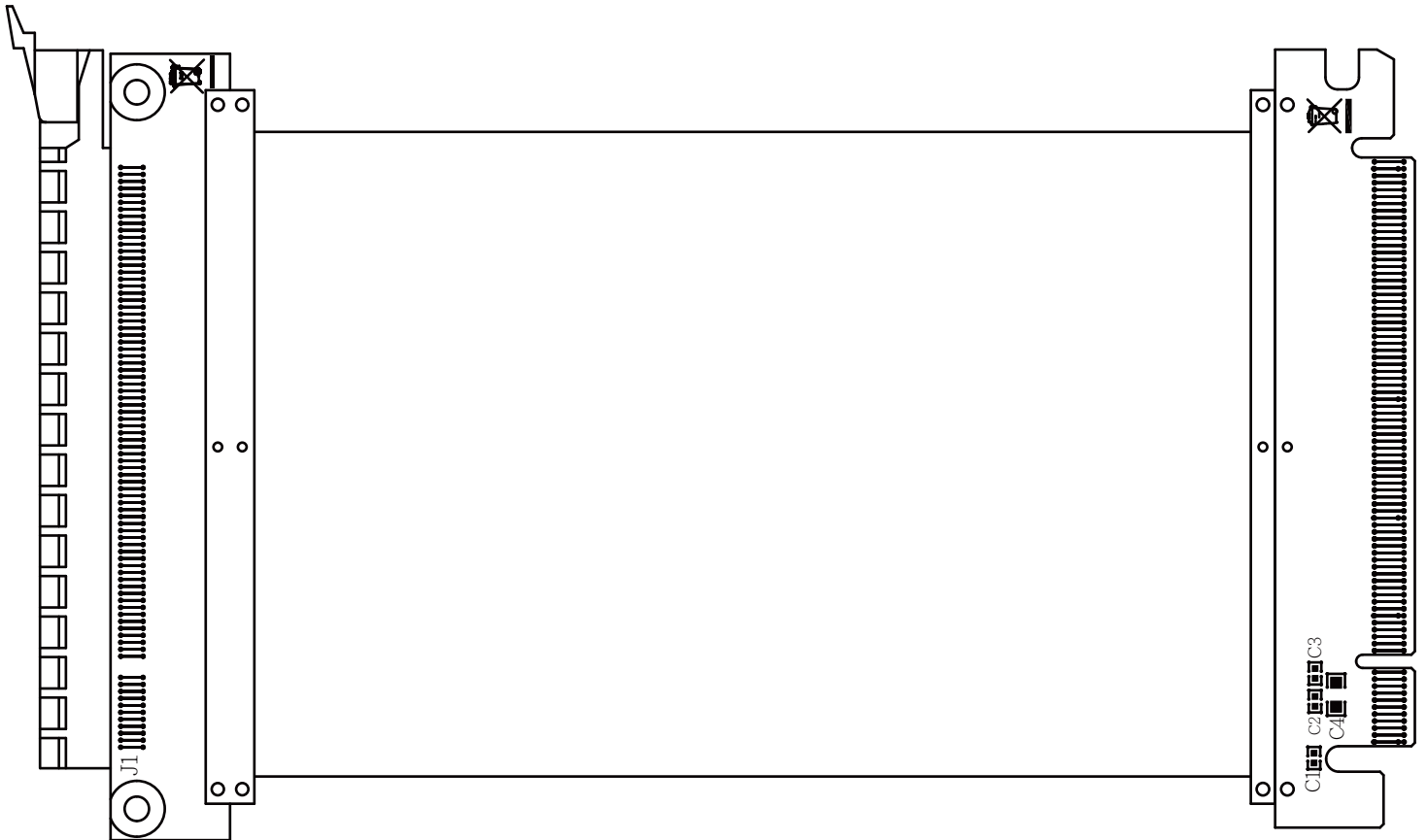
STEP:

- 1 Loosen the spring bolt screw
- 2 Slide left or right to remove the tray.
- 3 Install the 2.5"SSD or 3.5"HDD
- 4 Fasten the spring bolt screw

\* Product photos are for reference only.

## PCI-E Cable

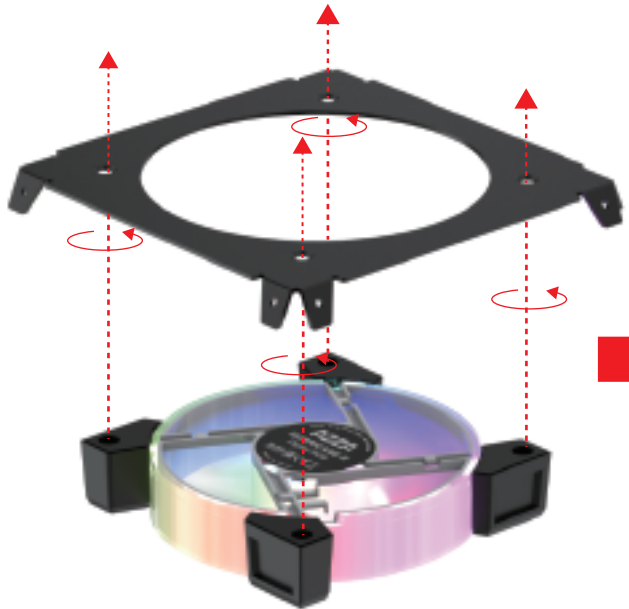
---



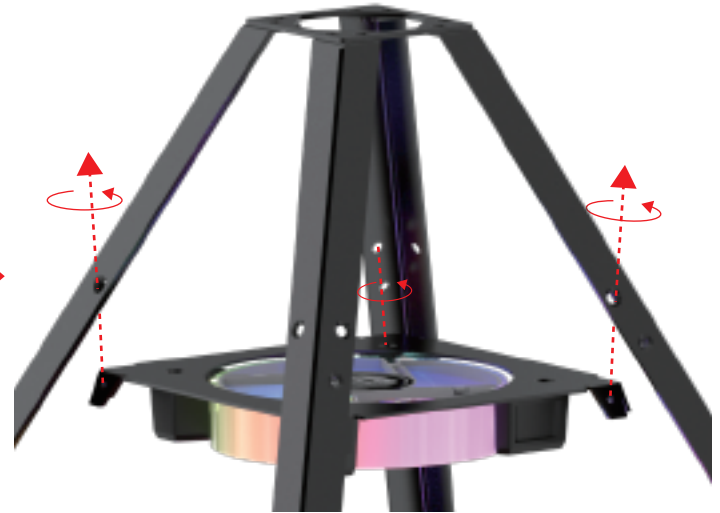
### 150 mm PCI-E 3.0 Cable(Support EATX 、 ATX Motherboard)

To fix potential compatibility issues with PCI-e Gen 4.0, please connect your graphics card directly to the motherboard, enter the BIOS, and change the PCI-e x16 mode to 3.0 before using the RGB PCI-e cable.

# Fan Installation



■ Fasten the fan screws

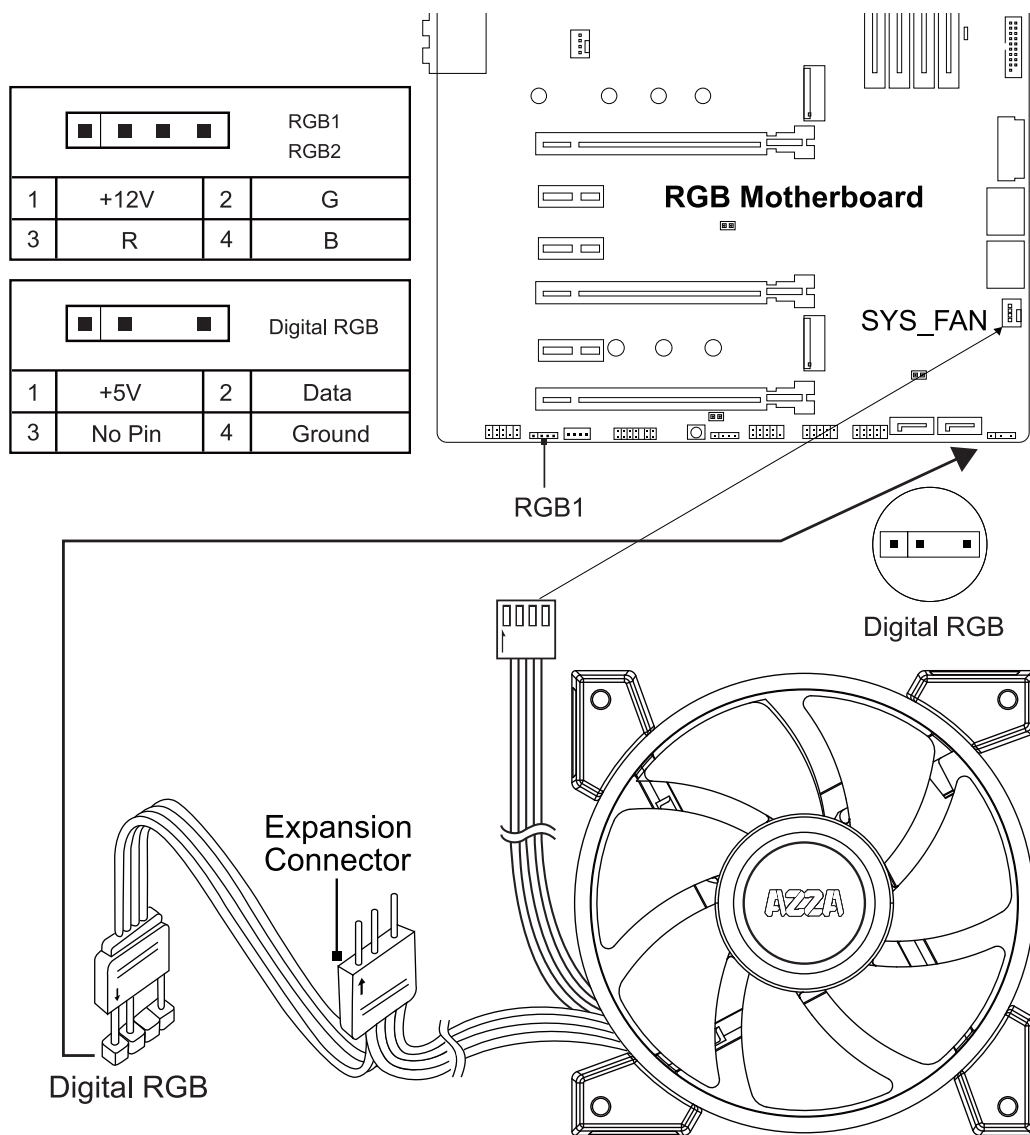


■ Secure the fan to the top of the Pyramid.



■ Manage the fan cables by hiding them.

# Digital RGB Fan Installation For Motherboard



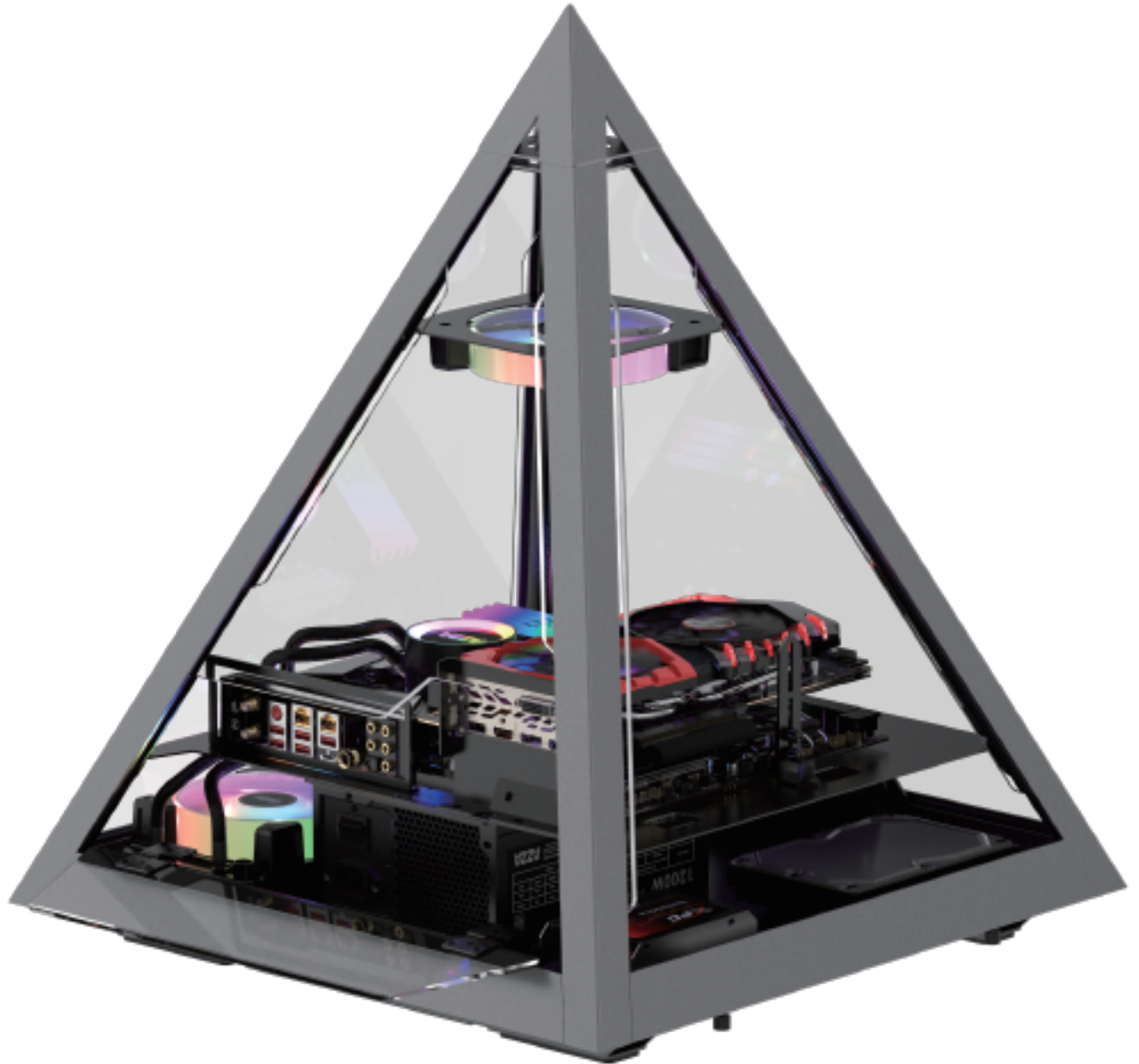
The addressable RGB fans can connect directly to the 5V addressable RGB headers of compatible motherboards, such as those from MSI™, ASUS™, Gigabyte™ and AsRock™.

Please note: Only 5V addressable headers from compatible motherboards are supported. Please do NOT connect the fan to a 12V non-addressable header.

Please check your motherboard's specifications before use. Do not go past the motherboard's allowed limits on power rating and LED count when connecting multiple fans/LED strips.

Complete

---



\* Product photos are for reference only.



**AZZA**  
ONE VISION. ONE MISSION